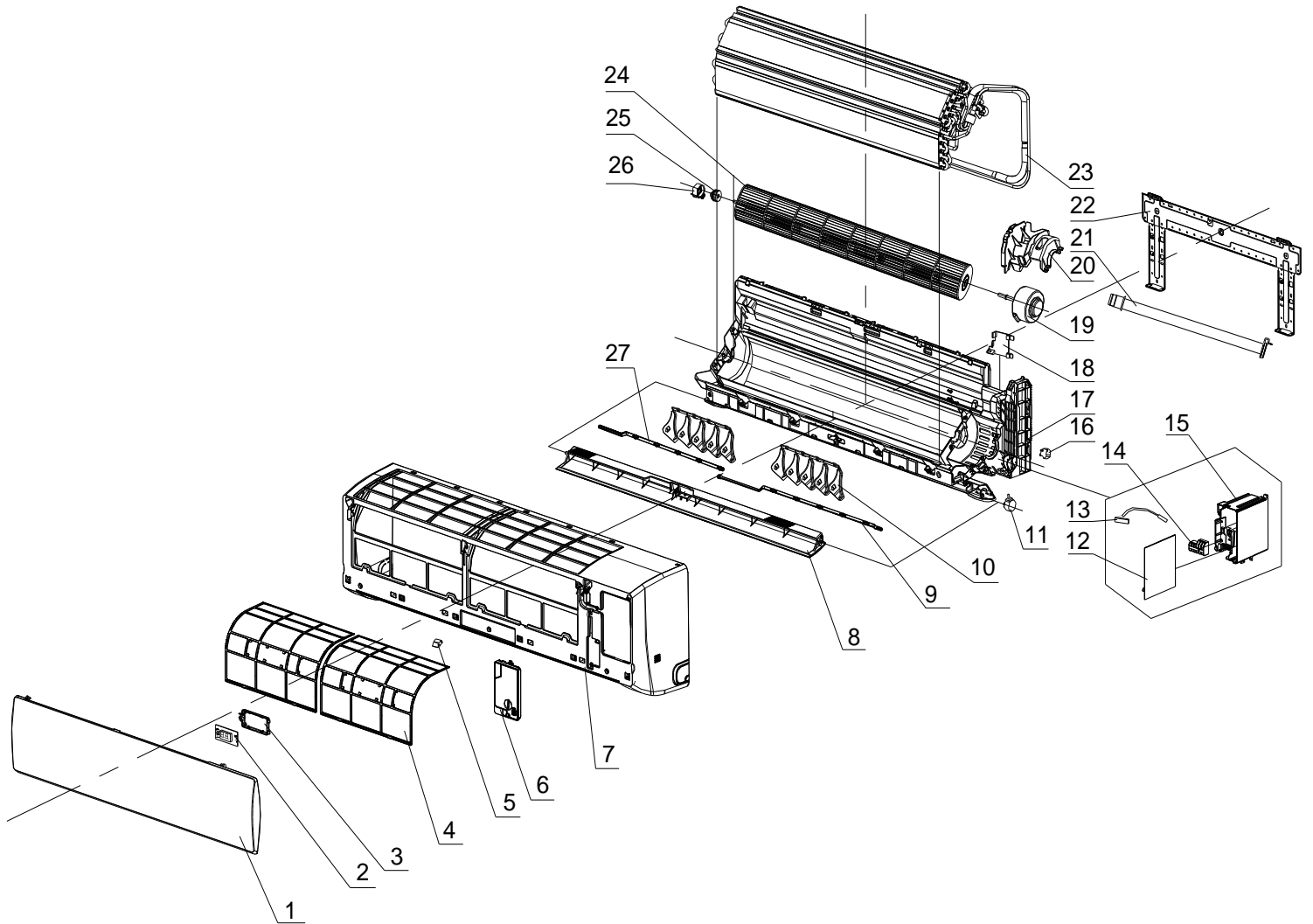


### Exploded View - MKTC1223E-16



### Exploded View - MKTC1223E-16

No.	Part No.	Part Name	Qty	Remark
1	41106-002199	Front Panel	1	
2	31102-000084	Display PCB	1	
3	42003-000001	Display PCB Box	1	
4	42008-000049	Air Filter	2	
5	41108-000066	Screw Cover	1	
6	41211-000077	Electrical Box Cover	1	
7	41106-002371	Face Frame	1	
8	41103-000101	Vane	1	
9	41101-000122	Right Vertical Vane Supporter	1	
10	41101-000033	Vertical Vane Assembly	2	
11	22001-000313	Vane Motor	1	
12	31101-002217	Main PCB	1	
13	10104-100014	Indoor Sensor Assembly	1	
14	11304-100063	Terminal	1	
15	41105-000427	Electrical Box	1	
16	22001-000318	Step Motor	1	
17	41199-004949	Base	1	
18	41101-000242	In And Out Pipe Fixer	1	
19	22001-000269	Indoor Motor	1	
20	42009-000011	Drainage Hose	1	
21	42003-000060	Indoor Motor Cover	1	
22	41109-000042	Installation Plate	1	
23	92011-011957	Evaporator	1	
24	42004-000039	Cross Fan	1	
25	42007-000009	Bearing Mount	1	
26	41101-000251	Bearing Mount Holder	1	
27	41101-000115	Vertical Vane Connector	1	
28	22013-004955	Remote Controller	1	Not shown in Explosion view
29	42001-000012	Remote Controller supporter	1	
30	A1101-024075	Indoor Carton	1	
31	A2006-000052	Left Foaming	1	
32	A2006-000032	Right Foaming	1	