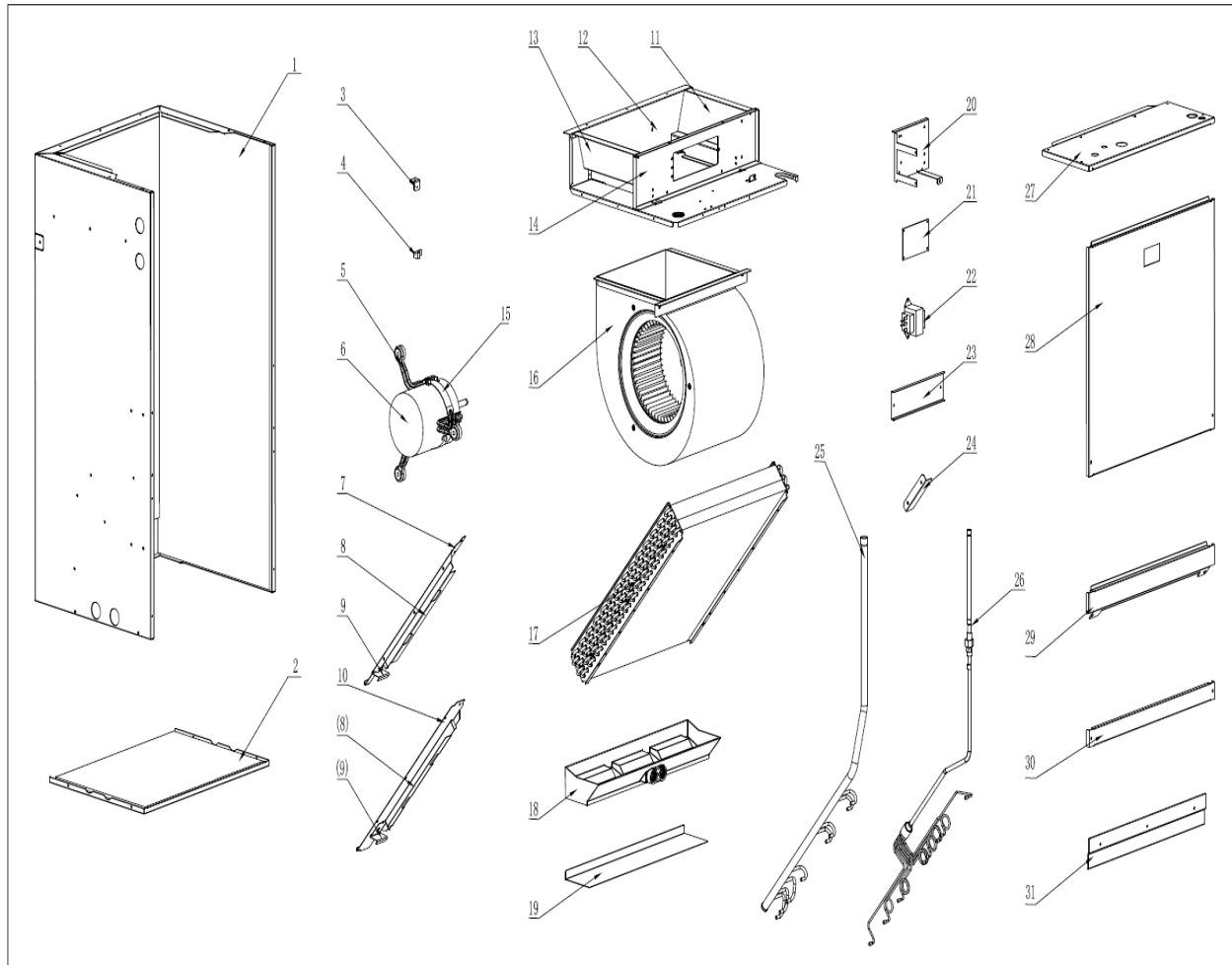
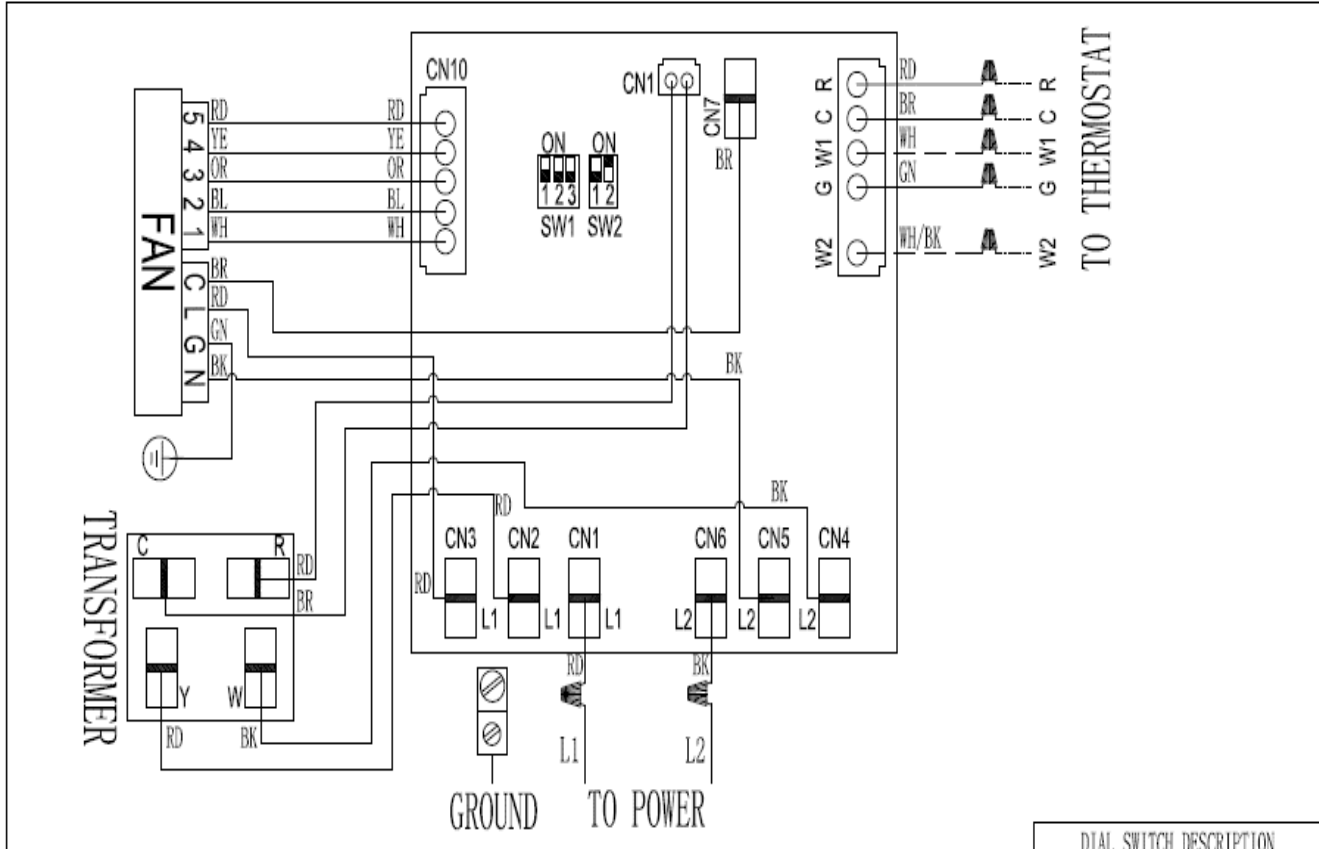


Exploded View - FAHC36HA15



Exploded View - FAHC36HA15



LINEAR ANNOTATION	NOTES	DIAL SWITCH DESCRIPTION	
		<p>——— FACTORY DEFAULT</p> <p>- - - - - FIELD INSTALLED</p> <p>- - - - - FACTORY OPTION</p> <p>Please refer to the actual wiring diagram.</p>	<ol style="list-style-type: none"> 1. Grounded and all wiring to conform to I.E.C. 2. Replacement wire must be the same gauge and insulation type as original wire. 3. The units should connect the stated-cross-section earth wire and keep it grounding unfliningly. 4. Electric Heater is optional.
		SW1-2	MEDIUM LOW
		SW1-3	MEDIUM
		SW2-1	MEDIUM HIGH
		SW2-2	HIGH

Exploded View - FAHC36HA15

No.	Part No.	Part Name	Qty	Remark
1	91044982	Base pan cotton sticking assembly	1	
2	91044995	Lower side panel cotton sticking assembly	1	
3	91043690	Wind wheel mounting block	2	
4	91043061	Brass binding post	1	
5	91043693	Motor fixing beam assembly	3	
6	91044855	Fan motor	1	
7	91044988	Evaporator left connecting plate	1	
8	91044990	Filter rail	2	
9	91044874	Drain pan fixing block	2	
10	91044989	Evaporator right connecting plate	1	
11	91044985	Right side panel of air duct	1	
12	91044983	Volute fixing plate	1	
13	91044984	Left side panel of air duct	1	
14	91044986	Front side panel of air duct	1	
15	91043692	Motor clamp	1	
16	91038108	Wind wheel volute	1	
17	91044428	Evaporator	1	
18	91044420	Plastic drain pan cotton sticking assembly	1	
19	91044987	Drain pan support plate	1	
20	91044999	Electric control mounting plate	1	
21	91034032	PCB	1	
22	91041237	Transformer	1	
23	91043691	Electric heater sealing plate	1	
24	91044870	Limit plate	1	
25	91044762	Evaporator gas collector pipe assembly	1	
26	91044763	Evaporator shunt pipe assembly	1	
27	91044991	Electric control cover cotton sticking assembly	1	
28	91044992	Upper side panel cotton sticking assembly	1	
29	91044993	Sealing plate cotton sticking assembly	1	
30	91044994	Lower reinforcement plate	1	
31	91044881	Rear mounting plate	2	