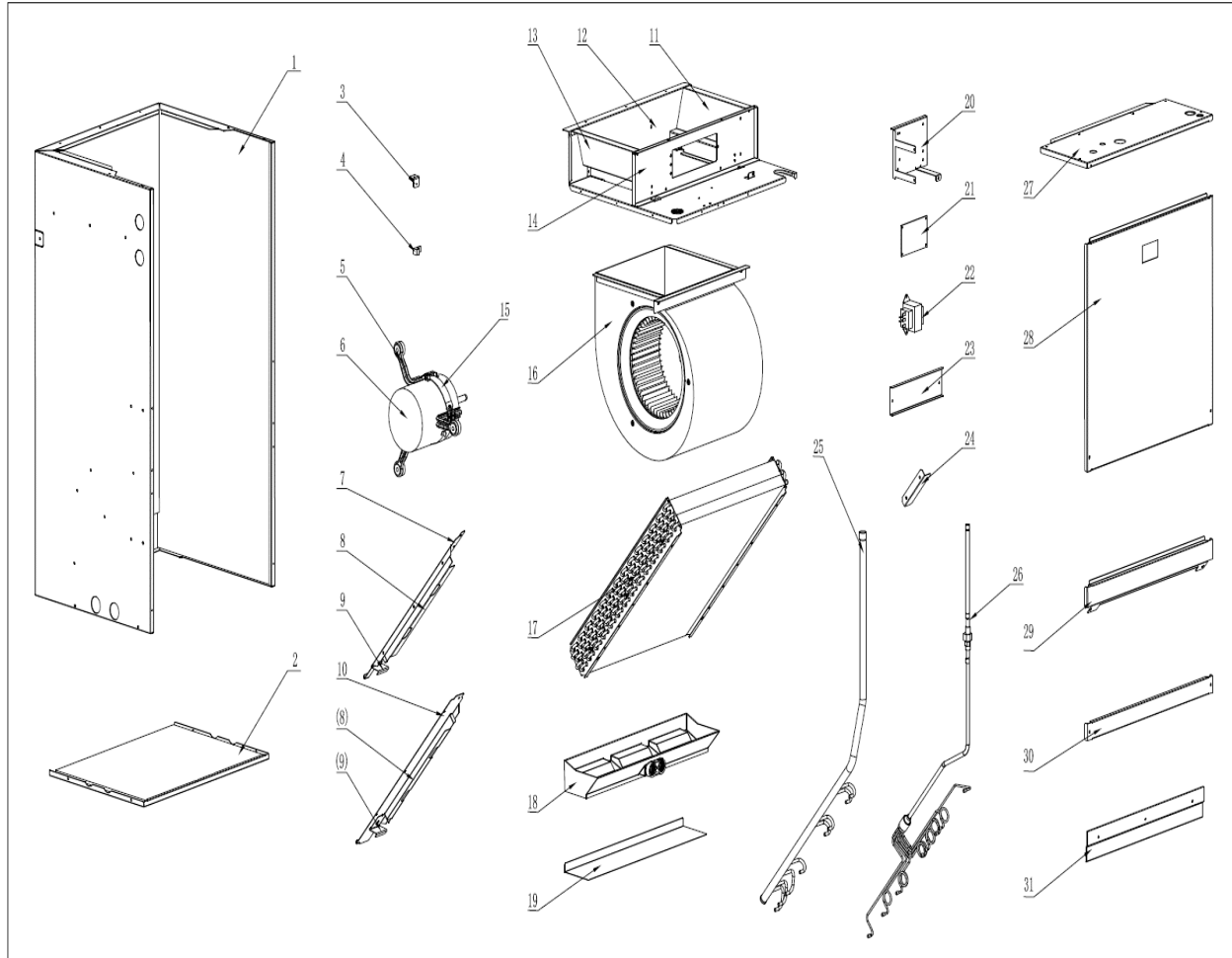
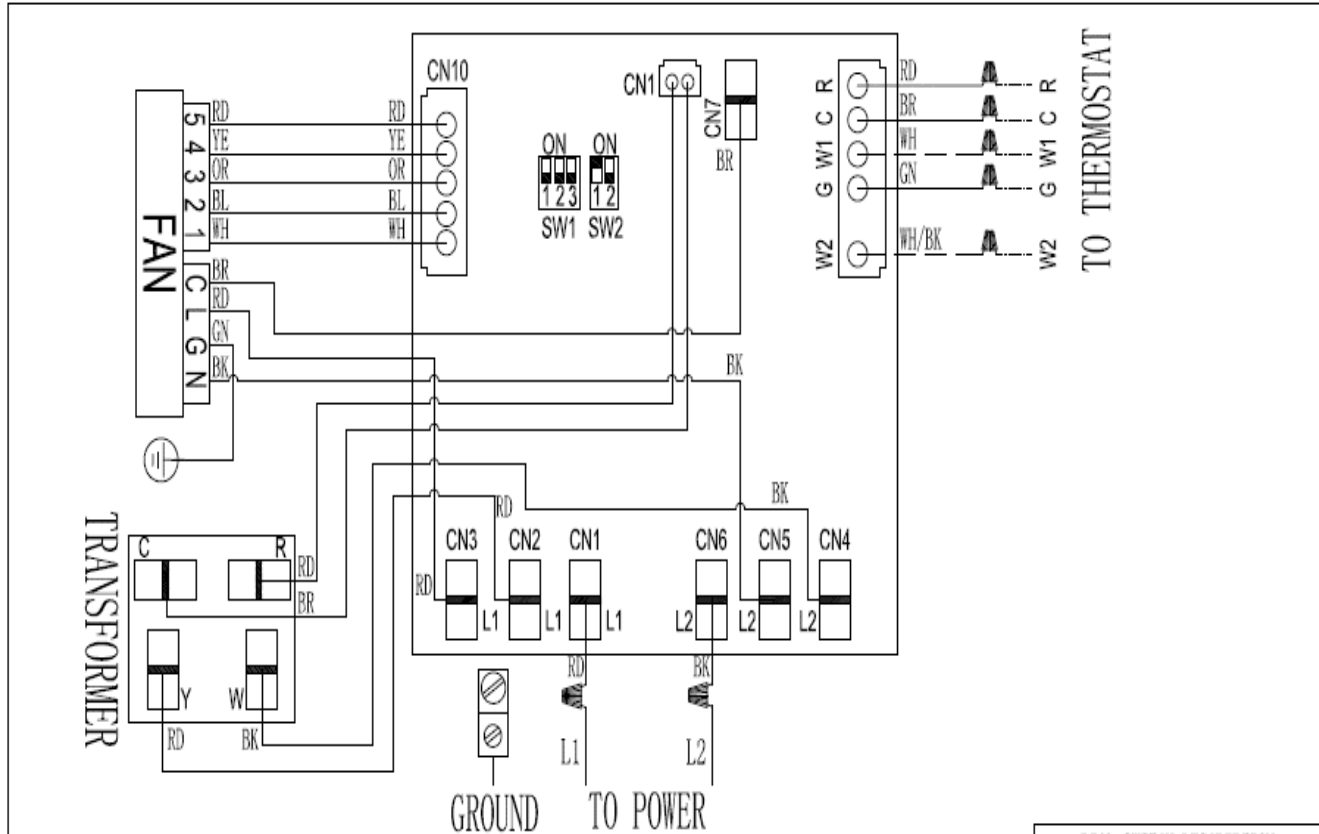


Exploded View - FAHC30HA15



Exploded View - FAHC30HA15



LINEAR ANNOTATION	NOTES	DIAL SWITCH DESCRIPTION	
————— FACTORY DEFAULT	1. Grounded and all wiring to conform to I.E.C. 2. Replacement wire must be the same gauge and insulation type as original wire. 3. The units should connect the stated-cross-section earth wire and keep it grounding unfailingly. 4. Electric Heater is optional.	SW1-1	LOW
- - - - - FIELD INSTALLED		SW1-2	MEDIUM LOW
- - - - - FACTORY OPTION		SW1-3	MEDIUM
Please refer to the actual wiring diagram.		SW2-1	MEDIUM HIGH
		SW2-2	HIGH

Exploded View - FAHC30HA15

No.	Part No.	Part Name	Qty	Remark
1	91044982	Base pan cotton sticking assembly	1	
2	91044995	Lower side panel cotton sticking assembly	1	
3	91043690	Wind wheel mounting block	2	
4	91043061	Brass binding post	1	
5	91043693	Motor fixing beam assembly	3	
6	91044855	Fan motor	1	
7	91044988	Evaporator left connecting plate	1	
8	91044990	Filter rail	2	
9	91044874	Drain pan fixing block	2	
10	91044989	Evaporator right connecting plate	1	
11	91044985	Right side panel of air duct	1	
12	91044983	Volute fixing plate	1	
13	91044984	Left side panel of air duct	1	
14	91044986	Front side panel of air duct	1	
15	91043692	Motor clamp	1	
16	91038108	Wind wheel volute	1	
17	91044428	Evaporator	1	
18	91044420	Plastic drain pan cotton sticking assembly	1	
19	91044987	Drain pan support plate	1	
20	91044999	Electric control mounting plate	1	
21	91034032	PCB	1	
22	91041237	Transformer	1	
23	91043691	Electric heater sealing plate	1	
24	91044870	Limit plate	1	
25	91044762	Evaporator gas collector pipe assembly	1	
26	91044761	Evaporator shunt pipe assembly	1	
27	91044991	Electric control cover cotton sticking assembly	1	
28	91044992	Upper side panel cotton sticking assembly	1	
29	91044993	Sealing plate cotton sticking assembly	1	
30	91044994	Lower reinforcement plate	1	
31	91044881	Rear mounting plate	2	