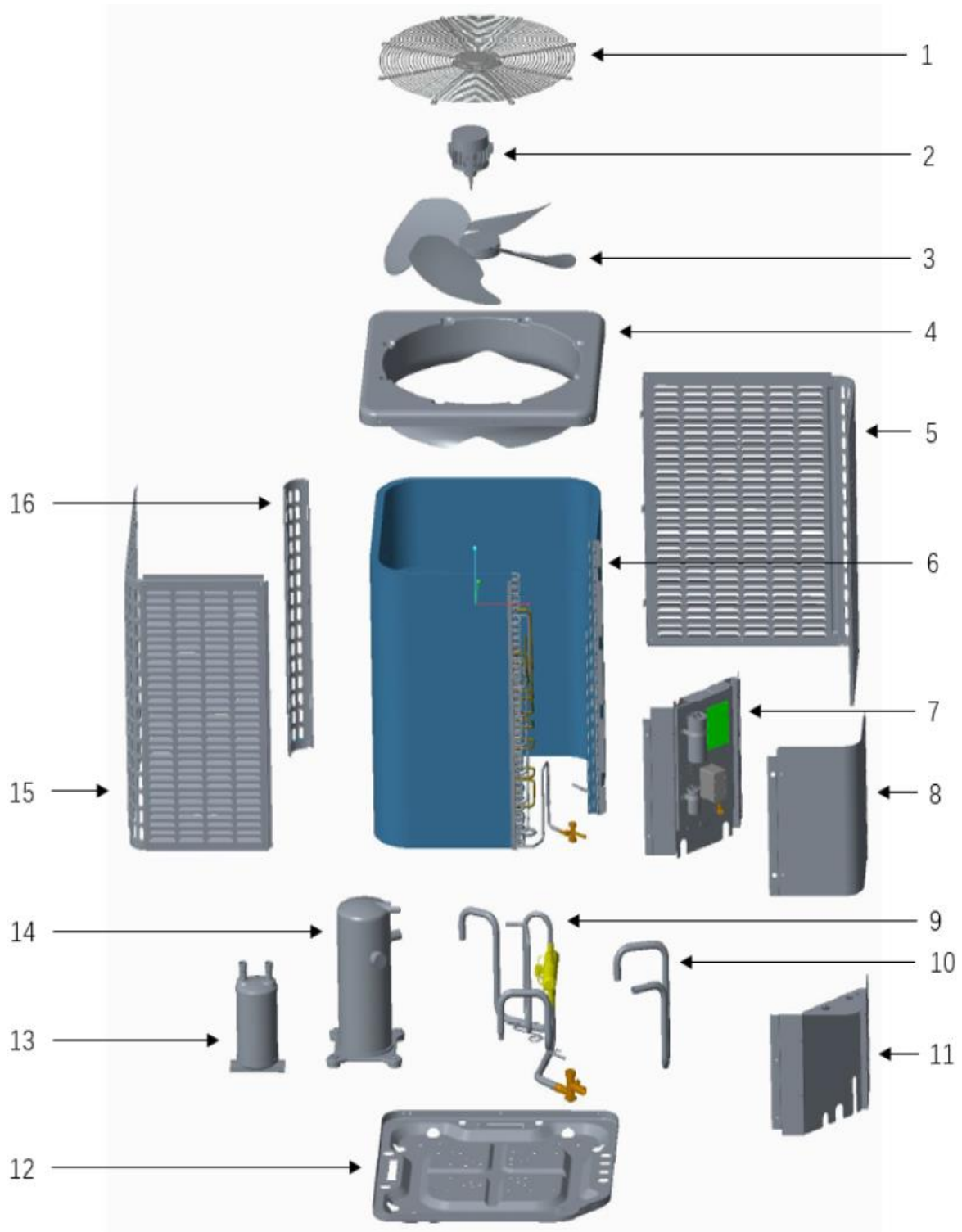
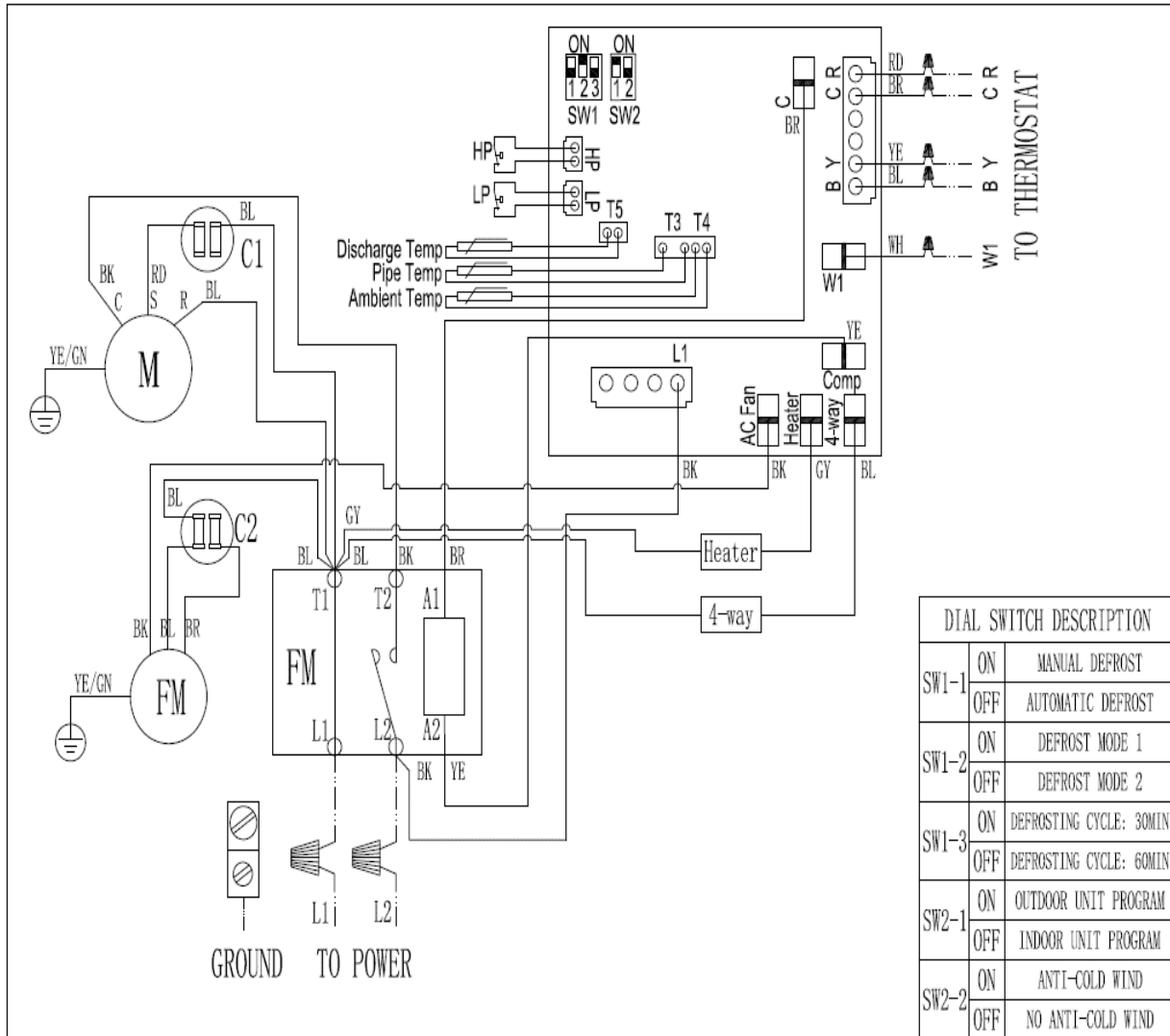


Exploded View - CAC3613HA15



Exploded View - CAC3613HA15



DIAL SWITCH DESCRIPTION		
SW1-1	ON	MANUAL DEFOST
	OFF	AUTOMATIC DEFOST
SW1-2	ON	DEFOST MODE 1
	OFF	DEFOST MODE 2
SW1-3	ON	DEFOSTING CYCLE: 30MIN
	OFF	DEFOSTING CYCLE: 60MIN
SW2-1	ON	OUTDOOR UNIT PROGRAM
	OFF	INDOOR UNIT PROGRAM
SW2-2	ON	ANTI-COLD WIND
	OFF	NO ANTI-COLD WIND

LINEAR ANNOTATION	NOTES	COMPONENT ANNOTATION
<p>———— FACTORY DEFAULT</p> <p>— · — · — FIELD INSTALLED</p> <p>----- FACTORY OPTION</p> <p>Please refer to the actual wiring diagram.</p>	<ol style="list-style-type: none"> 1. Grounded and all wiring to conform to I.E.C. 2. Replacement wire must be the same gauge and insulation type as original wire. 3. The units should connect the stated-cross-section earth wire and keep it grounding unfaillingly. 4. According to the actual connection of low-voltage switch or short wiring. 5. For γ-c terminal control voltage (AC-24v) current should not be less than 1.5A. 	<p>KM CONTACTOR HP HIGH PRESSURE SWITCH</p> <p>M COMPRESSOR LP LOW PRESSURE SWITCH</p> <p>FM FAN MOTOR</p> <p>C CAPACITOR</p> <p>4-WAY 4-WAY VALVE COIL</p> <p>HEATER CRANKSHAFT HEATING BAND</p>

Exploded View - CAC3613HA15

No.	Part No.	Part Name	Qty	Remark
1	91037800	Top air outlet grille	1	
2	91043431	Fan motor	1	
3	91038105	Axial-flow fan	1	
4	91043102	Top cover	1	
5	91043113	Right side panel	1	
6	91044602	Condenser assembly	1	
6.1	91044296	Condenser component	1	
6.2	91043158	Shunt components	1	
6.3	91043162	Gas collector assembly	1	
6.4	91044767	High pressure valve assembly	1	
7	91044616	Electronic control part	1	
7.1	91043105	Electronic control mounting plate	1	
7.2	91043106	PCB mounting base	1	
7.3	91034034	PCB	1	
7.4	91041306	AC contactor	1	
7.5	91031799	Compressor capacitor	1	
7.6	91042834	Fan capacitor	1	
7.7	91043061	Brass binding post	1	
7.8	91041298	Ambient temperature sensor	1	
8	91043104	Upper side panel	1	
9	91044771	4-way valve assembly	1	
10	91044769	Gas return pipe assembly	1	
11	91043108	Lower side panel	1	
12	91043101	Base pan components	1	
13	91042777	Compressor	1	
14	91044851	Gas-liquid separator	1	
15	91043112	Left side panel	1	
16	91043111	Support plate	1	
17	91040126	Crankshaft heating belt	1	
18	91041297	Condenser temperature sensor	1	
19	91041299	Discharge temperature sensor	1	
20	91045862	4-way valve coil	1	