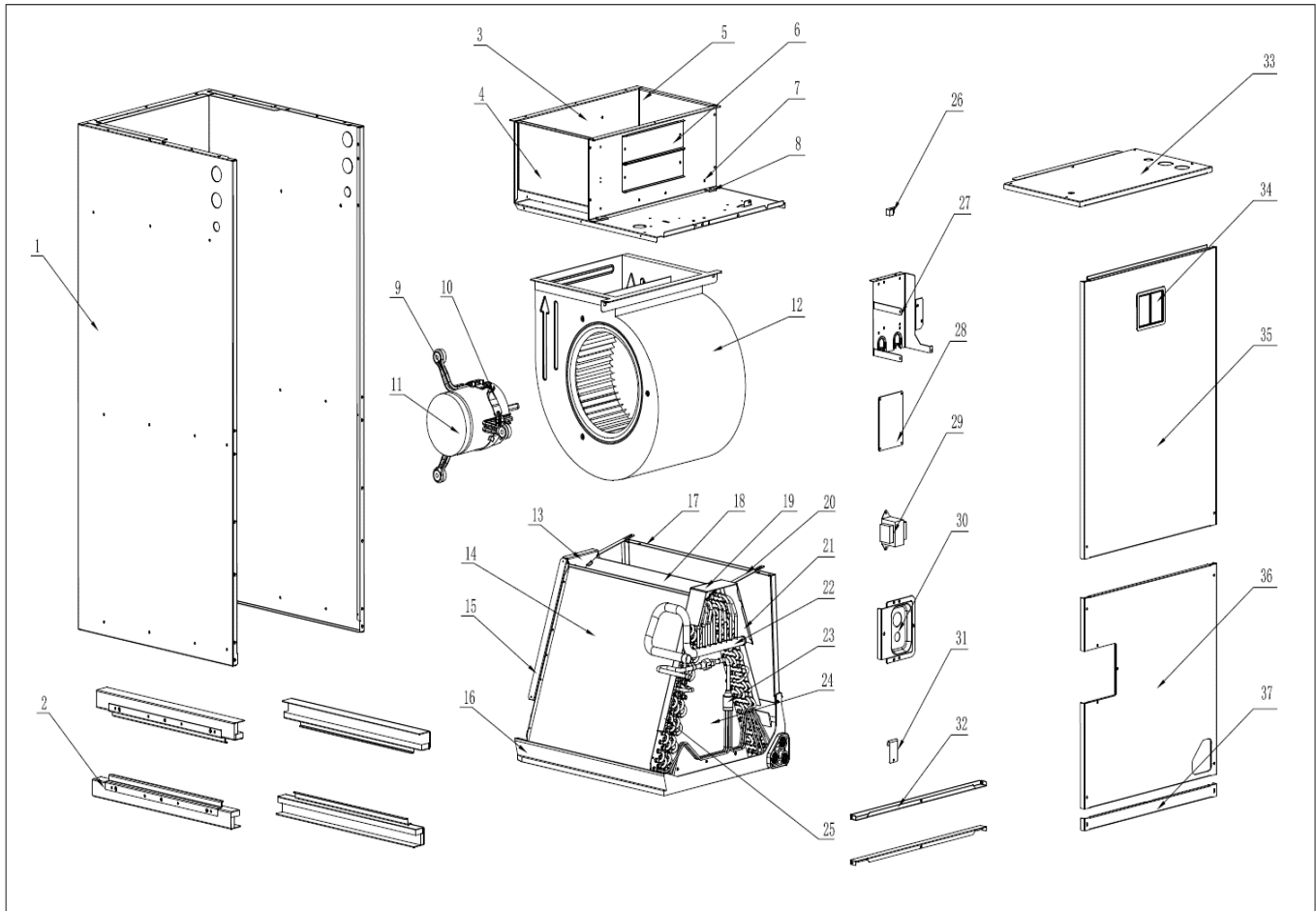
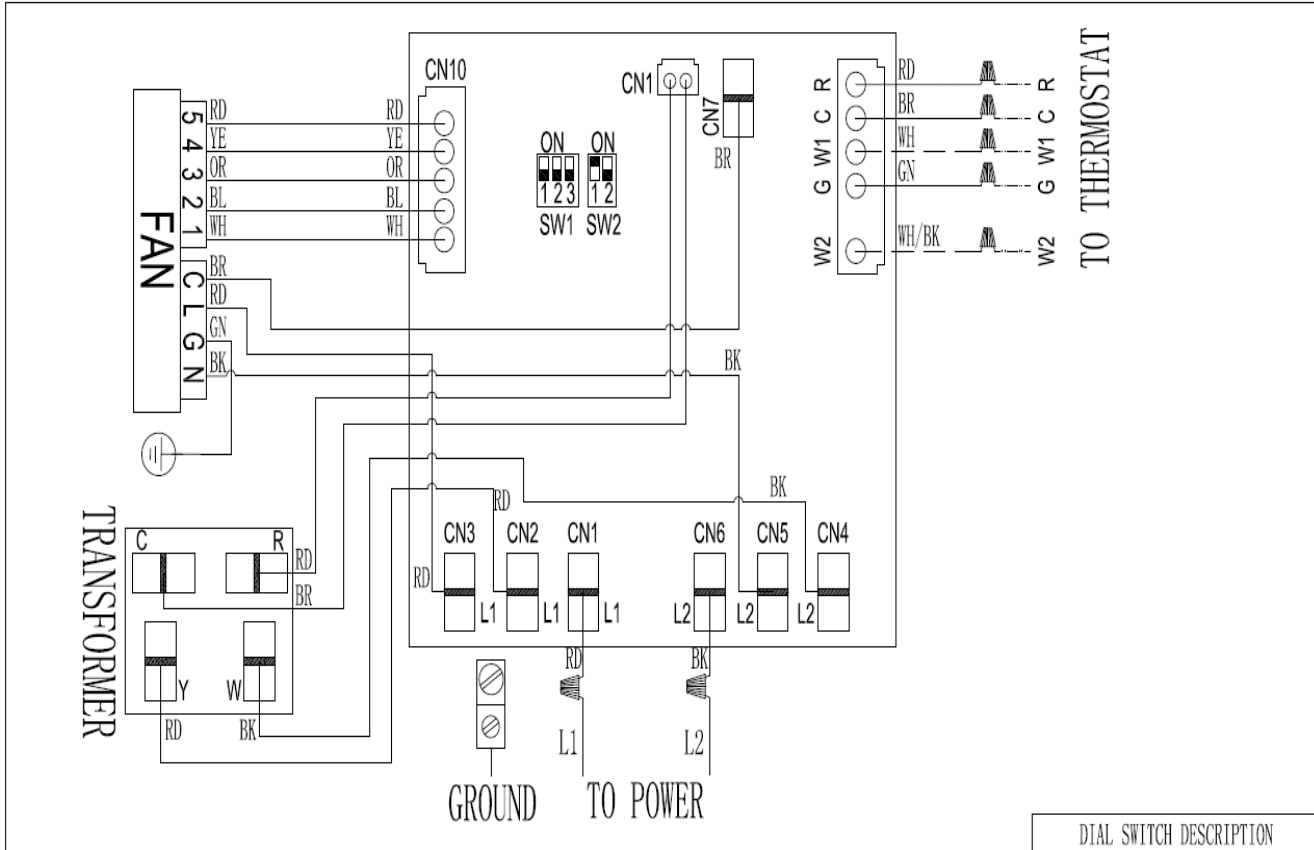


Exploded View - AHC30HA15



Exploded View - AHC30HA15



LINEAR ANNOTATION	NOTES	DIAL SWITCH DESCRIPTION	
		_____ FACTORY DEFAULT - - - - - FIELD INSTALLED - - - - - FACTORY OPTION Please refer to the actual wiring diagram.	1. Grounded and all wiring to conform to I.E.C. 2. Replacement wire must be the same gauge and insulation type as original wire. 3. The units should connect the stated-cross-section earth wire and keep it grounding unfaithfully. 4. Electric Heater is optional.
		SW1-2	MEDIUM LOW
		SW1-3	MEDIUM
		SW2-1	MEDIUM HIGH
		SW2-2	HIGH

Exploded View - AHC30HA15

No.	Part No.	Part Name	Qty	Remark
1	91043684	Base pan cotton sticking assembly	1	
2	91043685	Drain pan support plate cotton sticking assembly	4	
3	91043686	Wind wheel fixing plate	1	
4	91043688	Left side panel of air duct	1	
5	91043689	Right side panel of air duct	1	
6	91043691	Electric heater sealing plate	2	
7	91043687	Front side panel of air duct	1	
8	91043690	Wind wheel mounting block	2	
9	91043693	Motor fixing beam assembly	3	
10	91043692	Motor clamp	1	
11	91044855	Fan motor	1	
12	91038107	Wind wheel volute	1	
13	91043696	Evaporator fixing plate 1	1	
14	91044431	Evaporator	2	
15	91043697	Evaporator water baffle 1	2	
16	91043694	Plastic drain pan cotton sticking assembly	1	
17	91043695	Sheet metal drain pan cotton sticking assembly	1	
18	91043701	Evaporator sealing plate cotton sticking assembly	1	
19	91043698	Evaporator fixing plate 2	1	
20	91043703	Connecting plate	2	
21	91043700	Evaporator water baffle 3	1	
22	91043682	Evaporator gas collector pipe assembly	1	
23	91044756	Evaporator shunt pipe assembly	1	
24	91043702	Evaporator connecting plate	2	
25	91043699	Evaporator water baffle 2	1	
26	91043061	Brass binding post	1	
27	91043708	Electric control mounting plate	1	
28	91034032	PCB	1	
29	91041237	Transformer	1	
30	91043705	Piping cover cotton sticking assembly	1	
31	91043711	Drain pan fixing block	1	
32	91043709	Support bar	2	
33	91043707	Electric control box cover cotton sticking assembly	1	
34	91044424	Circuit breaker sealing plate	1	

Exploded View - AHC30HA15

No.	Part No.	Part Name	Qty	Remark
35	91043706	Upper side panel cotton sticking assembly	1	
36	91043704	Lower side panel cotton sticking assembly	1	
37	91043710	Filter cover	1	