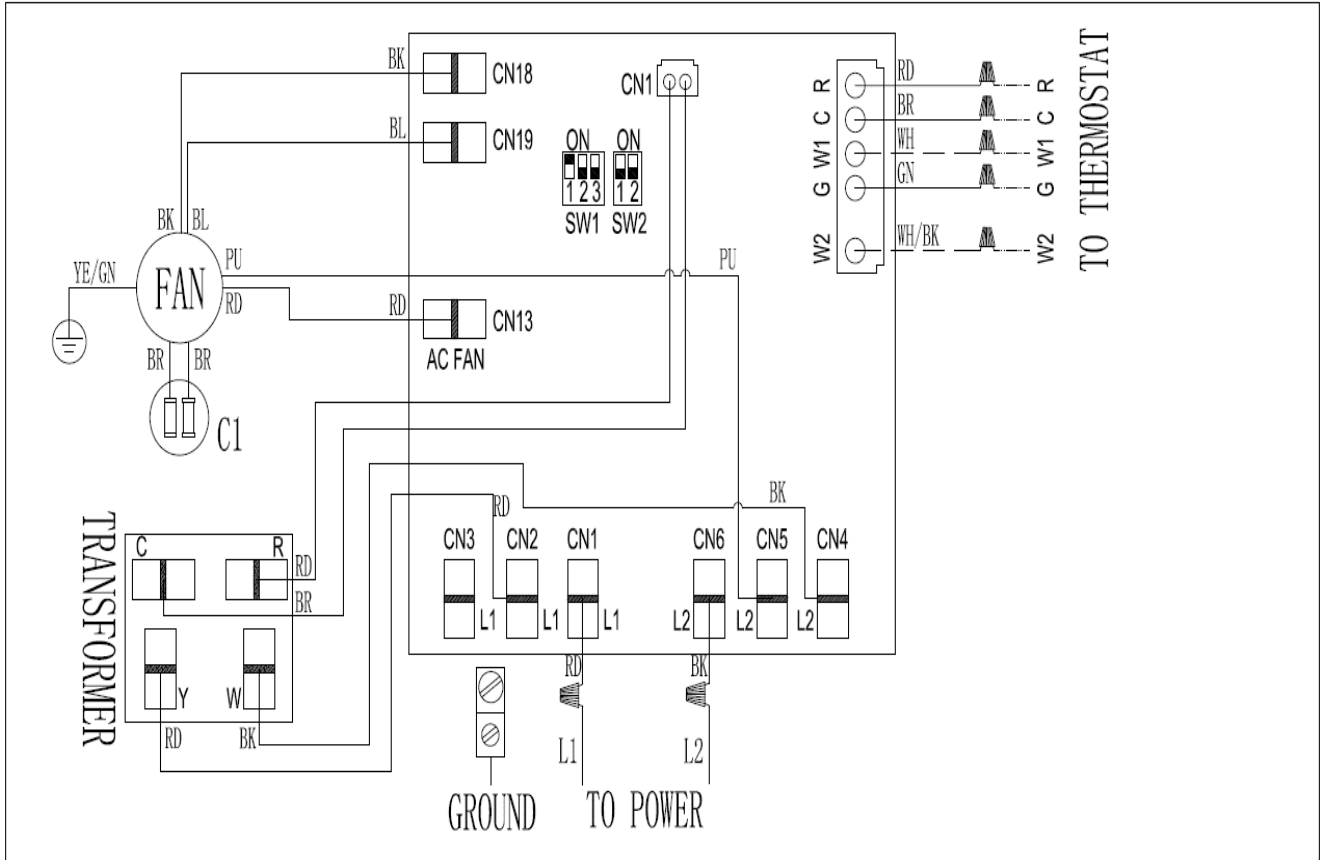


Exploded View - AHC18HA15



LINEAR ANNOTATION	NOTES	DIAL SWITCH DESCRIPTION				
<p>————— FACTORY DEFAULT</p> <p>----- FIELD INSTALLED</p> <p>----- FACTORY OPTION</p> <p>Please refer to the actual wiring diagram.</p>	<ol style="list-style-type: none"> 1. Grounded and all wiring to conform to I.E.C. 2. Replacement wire must be the same gauge and insulation type as original wire. 3. The units should connect the stated-cross-section earth wire and keep it grounding unfaithfully. 4. Electric Heater is optional. 	<table border="1"> <tr> <td data-bbox="1156 1260 1234 1302">SW1-1</td> <td data-bbox="1234 1260 1445 1302">AC FAN</td> </tr> <tr> <td colspan="2" data-bbox="1156 1302 1445 1411">The rest of the DIP switches are reserved.</td> </tr> </table>	SW1-1	AC FAN	The rest of the DIP switches are reserved.	
SW1-1	AC FAN					
The rest of the DIP switches are reserved.						

Exploded View - AHC18HA15

No.	Part No.	Part Name	Qty	Remark
1	91043684	Base pan cotton sticking assembly	1	
2	91043685	Drain pan support plate cotton sticking	4	
3	91043686	Wind wheel fixing plate	1	
4	91043688	Left side panel of air duct	1	
5	91043689	Right side panel of air duct	1	
6	91043691	Electric heater sealing plate	2	
7	91043687	Front side panel of air duct	1	
8	91043690	Wind wheel mounting block	2	
9	91043693	Motor fixing beam assembly	3	
10	91043692	Motor clamp	1	
11	91044853	Fan motor	1	
	91042834	Fan capacitor	1	
12	91038107	Wind wheel volute	1	
13	91043713	Evaporator fixing plate 1	1	
14	91044430	Evaporator	2	
15	91043697	Evaporator water baffle 1	2	
16	91043694	Plastic drain pan cotton sticking assembly	1	
17	91043695	Sheet metal drain pan cotton sticking assembly	1	
18	91043715	Evaporator sealing plate cotton sticking	1	
19	91043714	Evaporator fixing plate 2	1	
20	91043717	Connecting plate	2	
21	91043700	Evaporator water baffle 3	1	
22	91044753	Evaporator gas collector pipe assembly	1	
23	91044754	Evaporator shunt pipe assembly	1	
24	91043716	Evaporator connecting plate	2	
25	91043699	Evaporator water baffle 2	1	
26	91043061	Brass binding post	1	
27	91043708	Electric control mounting plate	1	
28	91034032	PCB	1	
29	91041237	Transformer	1	
30	91043705	Piping cover cotton sticking assembly	1	
31	91043711	Drain pan fixing block	1	
32	91043709	Support bar	2	

Exploded View - AHC18HA15

No.	Part No.	Part Name	Qty	Remark
33	91043707	Electric control box cover cotton sticking	1	
34	91044424	Circuit breaker sealing plate	1	
35	91043706	Upper side panel cotton sticking assembly	1	
36	91043704	Lower side panel cotton sticking assembly	1	
37	91043710	Filter cover	1	