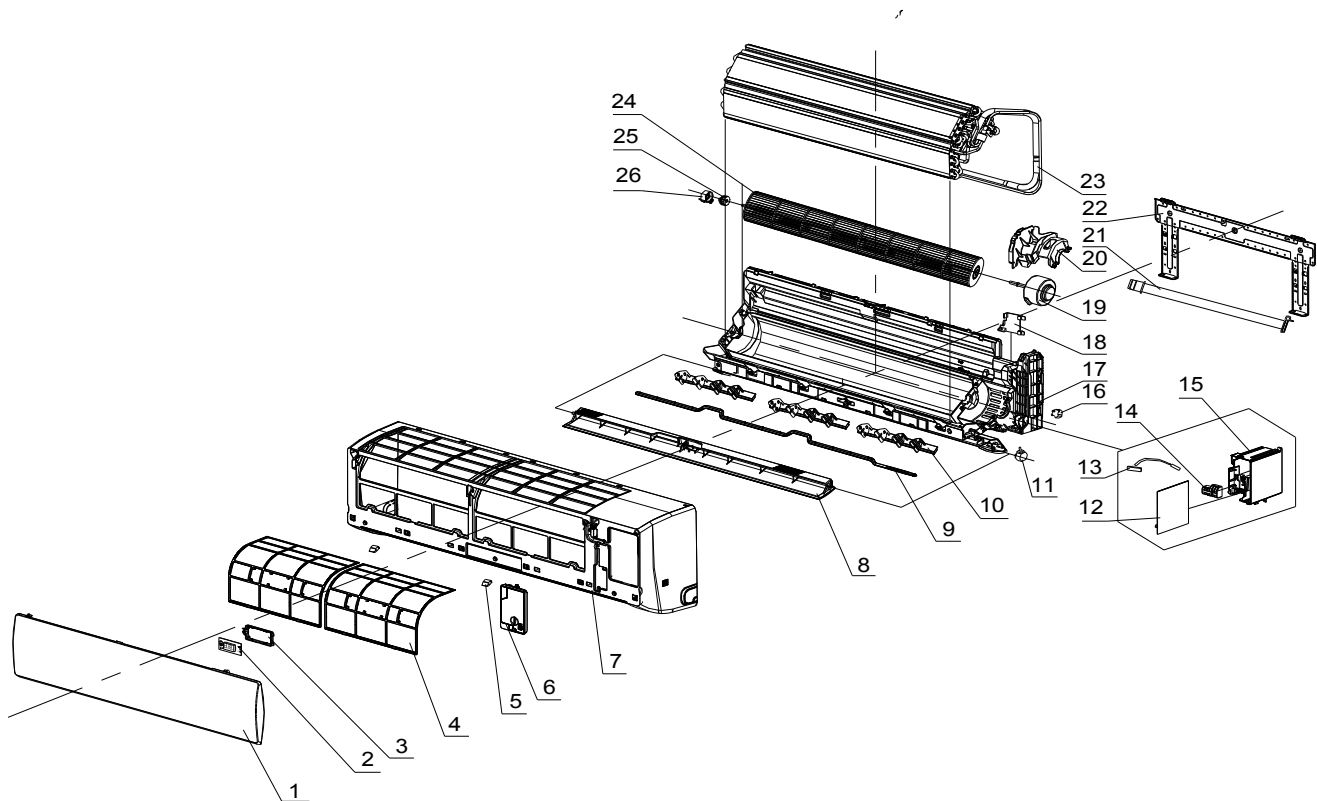


Exploded View - MKTH2423E-16



No.	Part No.	Part Name	Q'ty	Price(USD)	Remark
1	41106-002202	Front Panel	1	4.59	
2	31102-000084	Display PCB	1	3.79	
3	42003-000001	Display PCB Box	1	0.11	
4	42008-000069	Air Filter	1	1.22	
5	41108-000066	Screw Cover	2	0.05	
6	41211-000079	Electrical Box Cover	1	0.72	
7	41106-002351	Face Frame	1	7.77	
8	41103-000484	Vane	1	1.94	
9	41507-000076	Vertical Vane Connector	1	0.20	
10	41101-000042	Vertical Vane Assembly	3	0.25	
11	22001-000321	Vane Motor	1	1.63	
12	31101-002299	Main PCB	1	15.74	
13	10104-100014	Indoor Sensor Assembly	1	0.60	
14	11304-100063	Terminal	1	0.88	
15	41105-000427	Electrical Box	1	4.08	
16	22001-000640	Step Motor	1	1.54	
17	41102-000669	Base	1	11.34	
18	41101-000224	In And Out Pipe Fixer	1	0.23	
19	22001-000240	Indoor Motor	1	18.68	
20	42003-000045	Indoor Motor Cover	1	1.22	
21	42009-000011	Drainage Hose	1	0.62	
22	41109-000019	Installation Plate	1	1.50	
23	92011-011218	Evaporator	1	42.37	
24	42004-000002	Cross Fan	1	4.90	
25	42007-000009	Bearing Mount	1	0.26	
26	41101-000251	Bearing Mount holder	1	0.07	
27	22013-004955	Remote Controller	1	3.64	
28	42001-000012	Remote Controller Supporter	1	0.14	Not shown in Explosion view
29	A1101-024081	Indoor Carton	1	2.99	
30	A2006-000070	Left Foaming	1	0.87	
31	A2006-000068	Right Foaming	1	0.87	