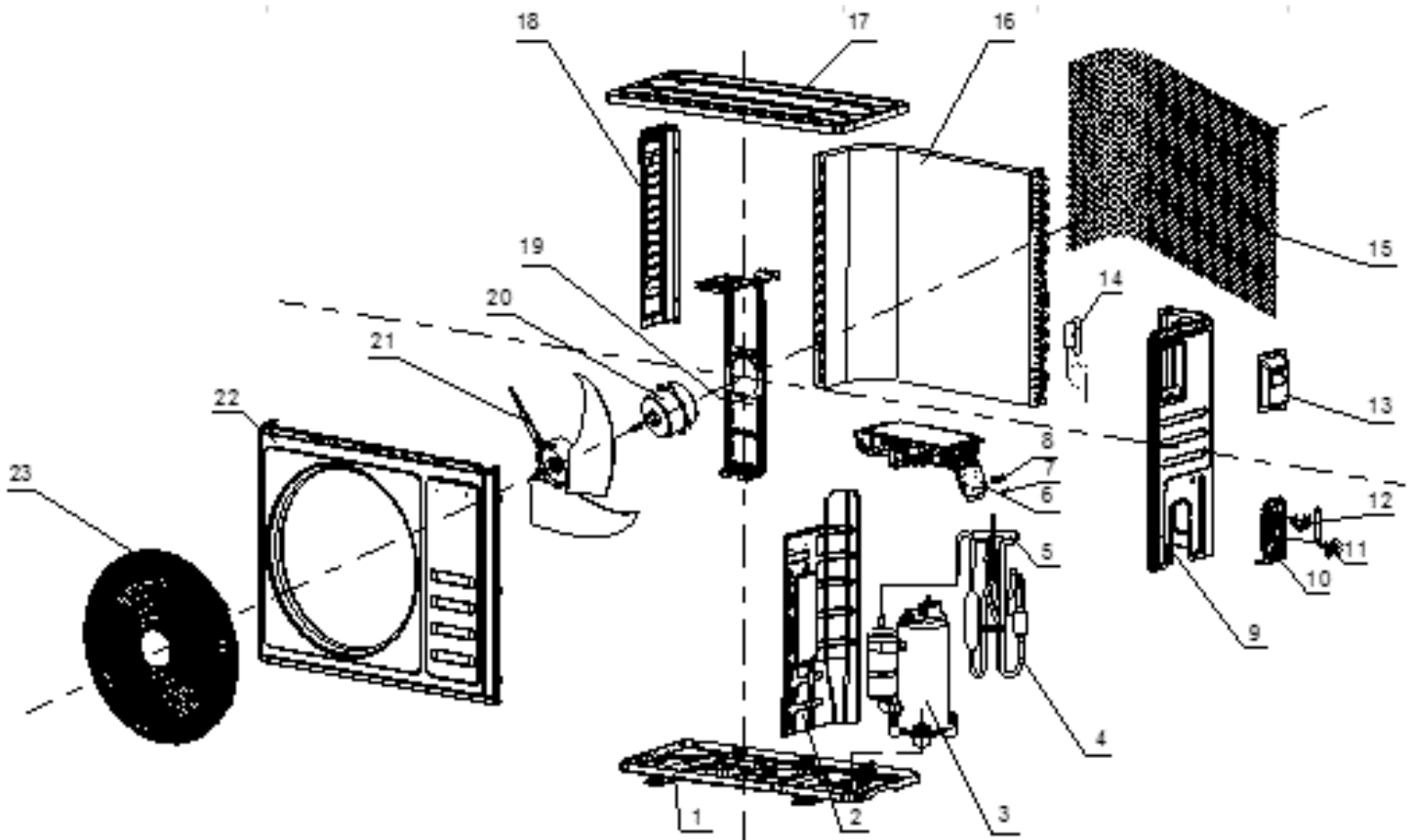


## Exploded View - MKTH2423C-16



| No. | Part No.     | Part Name                     | Q'ty | PRICE(USD) | Remark                            |
|-----|--------------|-------------------------------|------|------------|-----------------------------------|
| 1   | 41202-000402 | Base                          | 1    | 5.57       |                                   |
| 2   | 41208-001234 | Partition plate               | 1    | 4.54       |                                   |
| 3   | 92014-000589 | Compressor and accessories    | 1    | 63.52      |                                   |
| 4   | 92007-006990 | 4-way valve assembly          | 1    | 24.44      |                                   |
| 5   | 92008-000244 | 4-way valve                   | 1    | 9.19       |                                   |
| 6   | 31201-003040 | Outdoor PCB assembly          | 1    | 60.72      |                                   |
| 7   | 42001-000036 | Cable clamp                   | 1    | 0.03       |                                   |
| 8   | 11304-100117 | Terminal                      | 1    | 1.17       |                                   |
| 9   | 41205-001030 | Right plate                   | 1    | 4.55       |                                   |
| 10  | 41204-000018 | Valve supporter               | 1    | 0.66       |                                   |
| 11  | 92007-001066 | Three-way valve               | 1    | 3.02       |                                   |
| 12  | 92008-000258 | Two-way valve                 | 1    | 1.58       |                                   |
| 13  | 41201-000106 | Electrical box cover          | 1    | 1.33       |                                   |
| 14  | 92007-007567 | Capillary assembly            | 1    | 1.92       |                                   |
| 15  | 42011-000168 | Grille                        | 1    | 2.04       |                                   |
| 16  | 92011-005129 | Condenser                     | 1    | 50.61      |                                   |
| 17  | 41207-000752 | Top cover                     | 1    | 5.47       |                                   |
| 18  | 41205-000130 | Left Plate                    | 1    | 0.77       |                                   |
| 19  | 41203-000960 | Outdoor motor supporter       | 1    | 3.29       |                                   |
| 20  | 22001-000493 | Outdoor motor                 | 1    | 11.54      |                                   |
| 21  | 42004-000104 | Propeller fan                 | 1    | 3.49       |                                   |
| 22  | 41206-000057 | Front plate                   | 1    | 5.28       |                                   |
| 23  | 42011-000040 | Fan guard                     | 1    | 4.02       |                                   |
| 24  | 10104-100136 | Outdoor Temp. sensor assembly | 1    | 1.68       |                                   |
| 25  | A2005-000532 | Base carton                   | 1    | 1.68       | Not shown<br>in explosion<br>view |
| 26  | A1201-026038 | Cabinet carton                | 1    | 3.94       |                                   |
| 27  | A1202-000037 | Base foaming                  | 1    | 1.82       |                                   |
| 28  | 41213-000031 | Cover foaming                 | 1    | 1.82       |                                   |