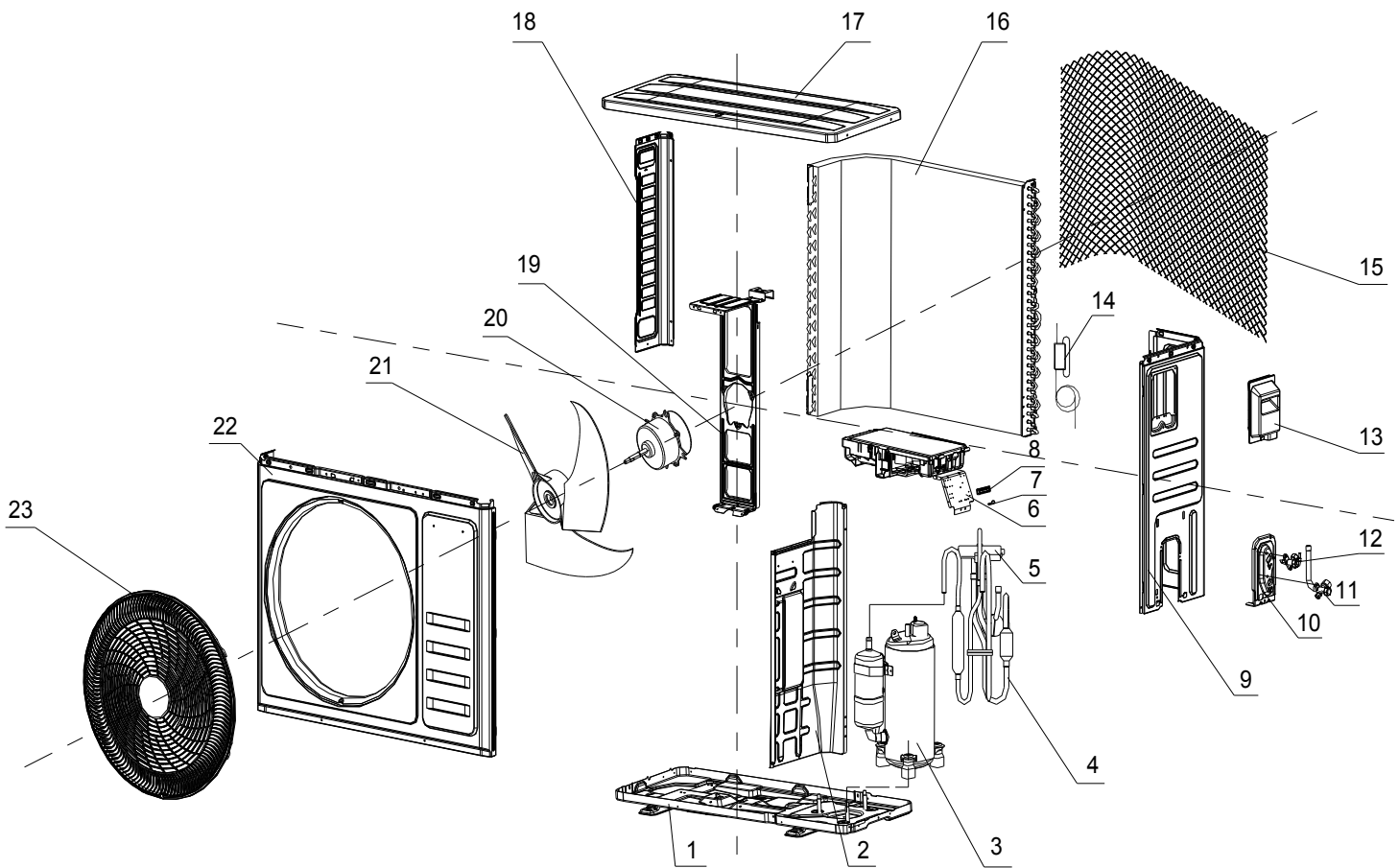


## Exploded View - MKTH1823C-16



No.	Part No.	Part Name	Q'ty	Remark	PRICE(USD)
1	41202-000402	Base	1		5.57
2	41208-001234	Partition plate	1		4.54
3	92014-000804	Compressor and accessories	1		55.55
4	92007-010781	4-way valve assembly	1		18.74
5	92008-000245	4-way valve	1		7.49
6	31201-003038	Outdoor PCB assembly	1		59.89
7	42001-000036	Cable clamp	1		0.03
8	11304-100117	Terminal	1		1.17
9	41205-001030	Right plate	1		4.55
10	41204-000018	Valve supporter	1		0.66
11	92008-000146	Three-way valve	1		4.20
12	92008-000051	Two-way valve	1		1.73
13	41201-000106	Electrical box cover	1		1.33
14	92007-007483	Capillary Assembly	1		2.02
15	42011-000170	Grille	1		2.03
16	92011-006279	Condenser	1		46.90
17	41207-000752	Top cover	1		5.47
18	41205-000130	Left plate	1		0.77
19	41203-000960	Outdoor motor supporter	1		3.29
20	22001-000493	Outdoor motor	1		11.54
21	42004-000104	Propeller fan	1		3.49
22	41206-000057	Front plate	1		5.28
23	42011-000040	Fan guard	1		4.02
24	10104-100056	Outdoor Temp. sensor	1		1.68
25	A2005-000532	Base carton	1	Not shown in explosion view	1.68
26	A1201-026037	Cabinet carton	1		3.94
27	A1202-000037	Base foaming	1		1.82
28	41213-000031	Cover foaming	1		1.82