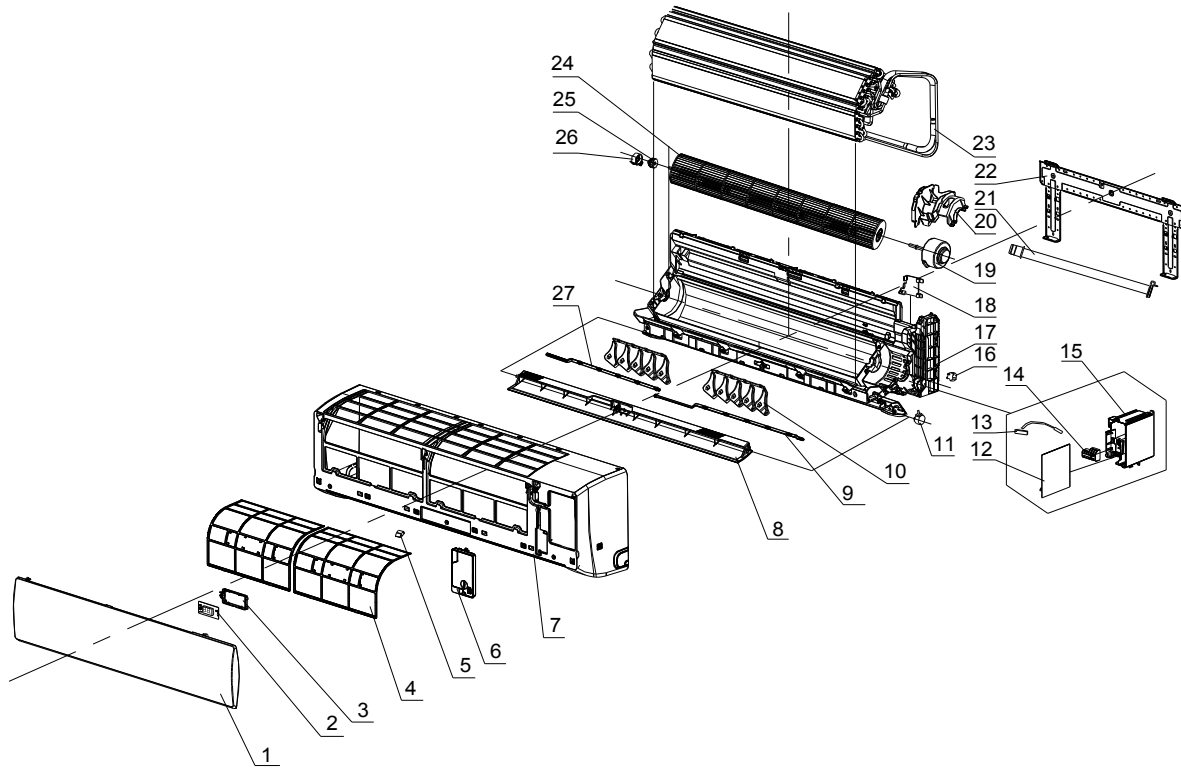


Exploded View - MKTH1213E-16



No.	Part No.	Part Name	Q'ty	Price(USD)	Remark
1	41106-002199	Front Panel	1	3.28	
2	31102-000084	Display PCB	1	3.79	
3	42003-000001	Display PCB Box	1	0.11	
4	42008-000049	Air Filter	2	0.79	
5	41108-000066	Screw Cover	1	0.05	
6	41211-000077	Electrical Box Cover	1	1.32	
7	41106-002371	Face Frame	1	6.94	
8	41103-000101	Vane	1	1.33	
9	41101-000122	Right Vertical Vane Supporter	1	0.17	
10	41101-000033	Vertical Vane Assembly	2	0.16	
11	22001-000313	Vane Motor	1	1.18	
12	31101-002216	Main PCB	1	12.74	
13	10104-100014	Indoor Sensor Assembly	1	0.60	
14	11304-100063	Terminal	1	0.88	
15	41105-000427	Electrical Box	1	4.08	
16	22001-000318	Step Motor	1	1.47	
17	41199-004949	Base	1	8.40	
18	41101-000242	In And Out Pipe Fixer	1	0.18	
19	22001-000238	Indoor Motor	1	11.91	
20	42009-000011	Drainage Hose	1	0.62	
21	42003-000060	Indoor Motor Cover	1	0.43	
22	41109-000042	Installation Plate	1	0.79	
23	92011-009405	Evaporator	1	28.48	
24	42004-000039	Cross Fan	1	3.17	
25	42007-000009	Bearing Mount	1	0.26	
26	41101-000251	Bearing Mount Holder	1	0.07	
27	41101-000115	Vertical Vane Connector	1	0.17	
28	22013-004955	Remote Controller	1	3.64	
29	42001-000012	Remote Controller supporter	1	0.14	
30	A1101-024078	Indoor Carton	1	2.78	Not shown in Explosion view
31	A2006-000052	Left Foaming	1	0.56	
32	A2006-000032	Right Foaming	1	0.56	