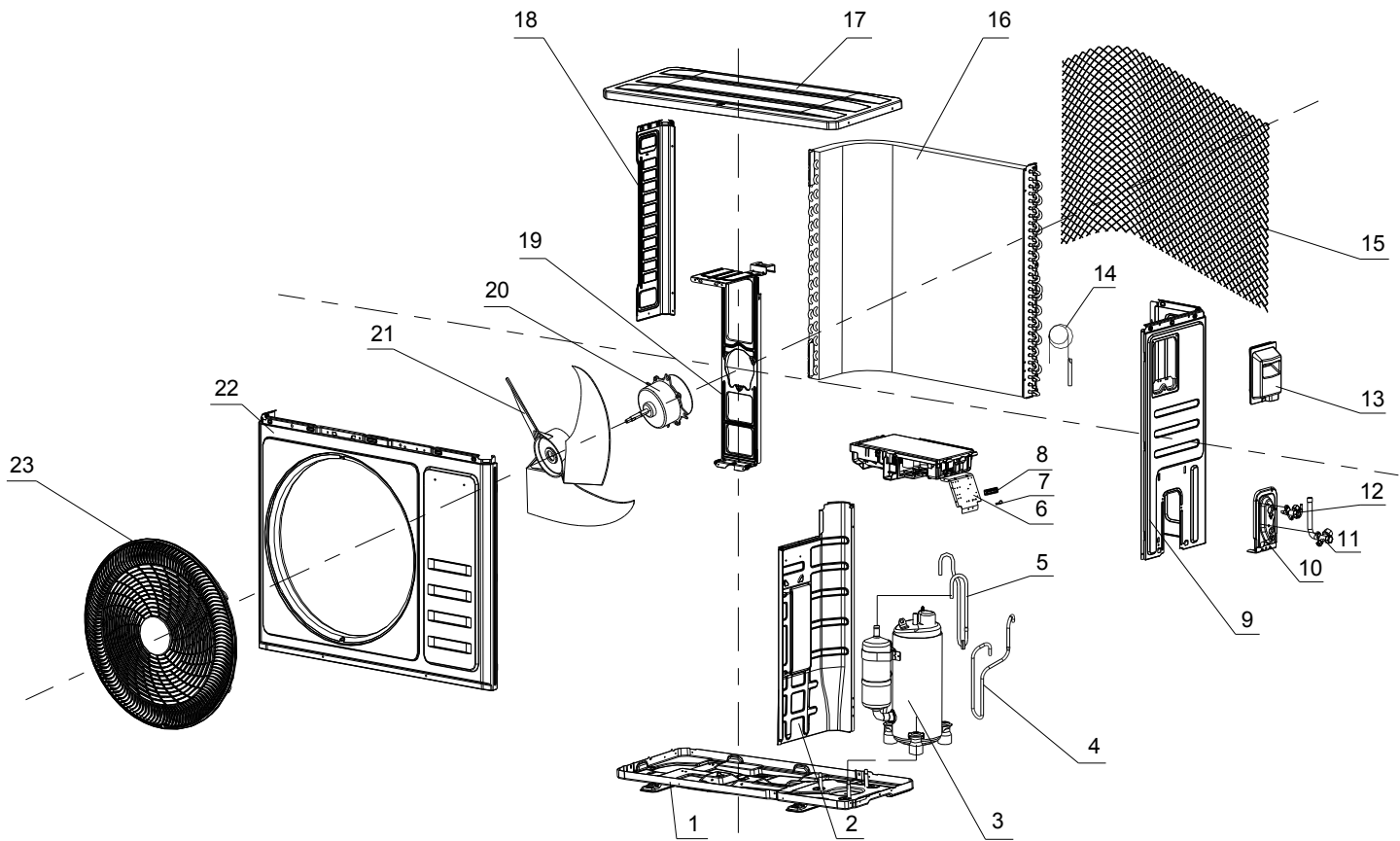


Exploded View - MKTC1823C-16



No.	Part No.	Part Name	Q'ty	PRICE(USD)	Remark
1	41202-000364	Base	1	7.88	
2	41208-001211	Partition plate	1	4.92	
3	92014-000804	Compressor and accessories	1	55.55	
4	92007-007672	Suction pipe	1	3.65	
5	92007-018398	Discharge pipe	1	3.11	
6	31201-003042	Outdoor PCB Assembly	1	57.89	
7	42001-000036	Cable clamp	1	0.03	
8	11304-100117	Terminal	1	1.17	
9	41205-001030	Right plate	1	4.55	
10	41204-000018	Valve supporter	1	0.66	
11	92007-001041	Three-way valve	1	2.50	
12	92008-000258	Two-way valve	1	1.58	
13	41201-000106	Eelectronic Box Cover	1	1.33	
14	92007-017772	Capillary assembly	1	0.76	
15	42011-000169	Grille	1	2.30	
16	92011-008505	Condenser	1	30.53	
17	41207-000752	Top cover	1	5.47	
18	41205-000130	Left plate	1	0.77	
19	41203-000960	Outdoor motor supporter	1	3.30	
20	22001-000493	Outdoor motor	1	11.54	
21	42004-000104	Propeller fan	1	3.49	
22	41206-000057	Front plate	1	5.28	
23	42011-000040	Fan guard	1	4.02	
24	10104-100056	Outdoor Temp. sensor	1	1.68	
25	A2005-000532	Base carton	1	1.68	Not shown in explosion view
26	A1201-026033	Cabinet carton	1	3.94	
27	A1202-000037	Base foaming	1	1.82	
28	41213-000031	Cover foaming	1	1.82	