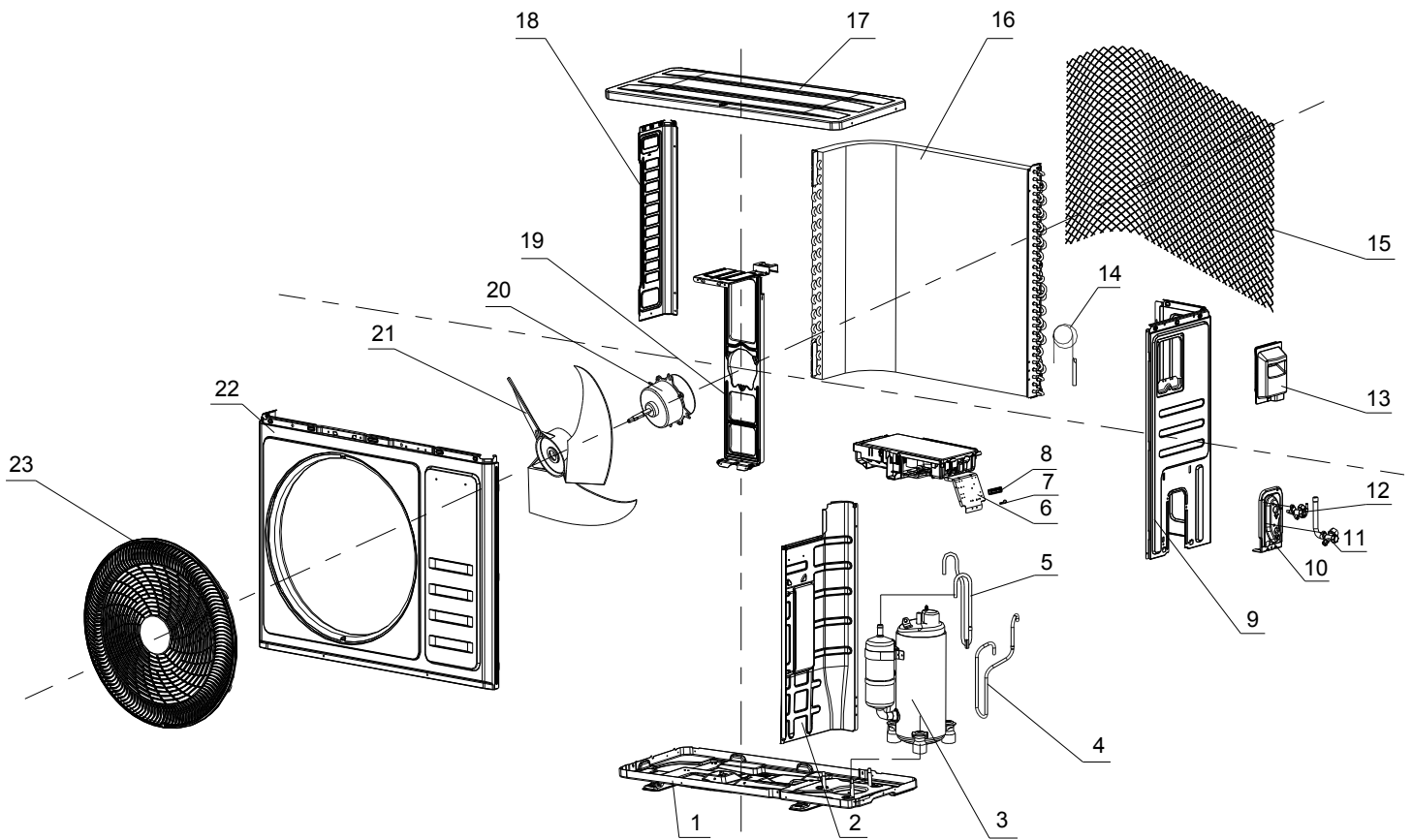


Exploded View - MKTC1223C-16



No.	Part No.	Part Name	Q'ty	PRICE(USD)	Remark
1	41202-000177	Base	1	6.49	
2	41208-001050	Partition plate	1	2.15	
3	92014-000760	Compressor and accessories	1	53.65	
4	92007-018309	Suction pipe	1	3.55	
5	92007-018308	Discharge pipe	1	2.79	
6	31201-003026	Outdoor PCB Assembly	1	40.42	
7	42001-000036	Cable clamp	1	0.03	
8	11304-100117	Terminal	1	1.17	
9	41205-000639	Right plate	1	2.03	
10	41204-000018	Valve supporter	1	0.66	
11	92007-001041	Three-way valve	1	2.50	
12	92007-007317	Two-way valve	1	1.55	
13	41201-000106	Eelectronic Box Cover	1	1.33	
14	92007-007523	Capillary assembly	1	1.63	
15	42011-000183	Grille	1	1.41	
16	92011-005422	Condenser	1	14.61	
17	41207-000683	Top cover	1	3.81	
18	41205-000133	Left plate	1	0.69	
19	41203-000953	Outdoor motor supporter	1	2.26	
20	22001-000555	Outdoor motor	1	9.37	
21	42004-000107	Propeller fan	1	1.95	
22	41206-000216	Front plate	1	5.85	
23	42011-000038	Fan guard	1	2.00	
24	10104-100055	Outdoor Temp. sensor assembly	1	1.68	
25	A2005-000530	Base carton	1	0.64	Not shown in explosion view
26	A1201-026032	Cabinet carton	1	3.30	
27	A1202-000039	Base foaming	1	1.04	
28	41213-000030	Cover foaming	1	0.84	