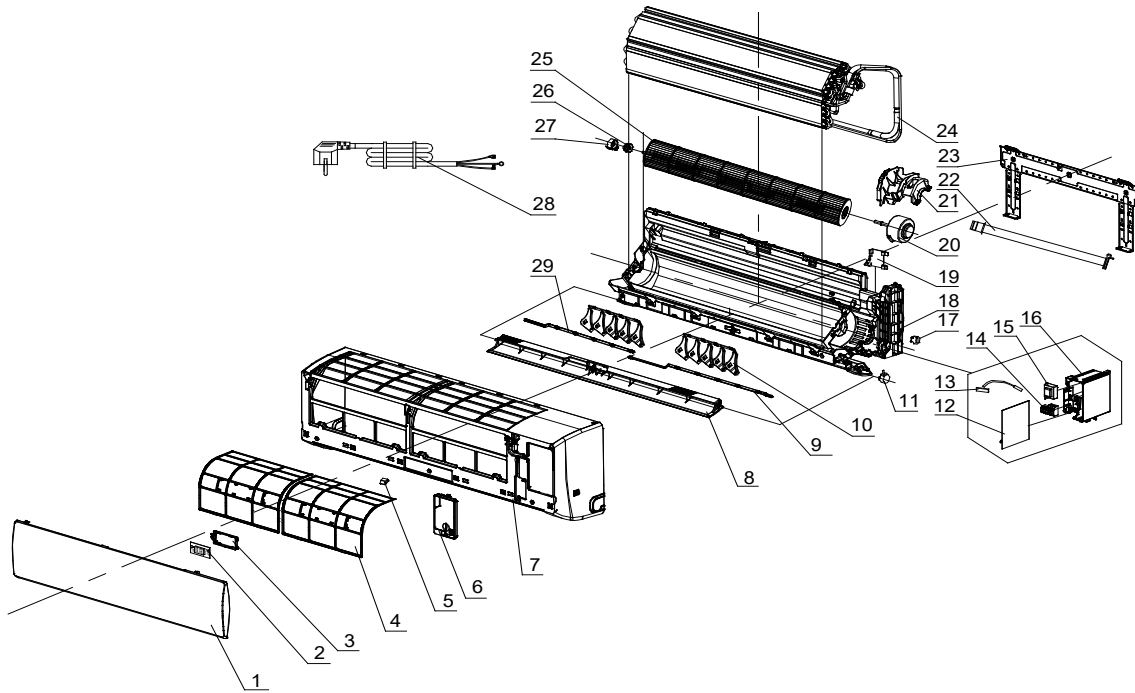


Exploded View MGTC0913E-20



No.	Part No.	Part Name	Qty	Remark
1	41106-002054	Front Panel	1	
2	31102-000085	Display PCB	1	
3	42003-000001	Display PCB Box	1	
4	42008-000039	Air Filter	2	
5	41108-000066	Screw Cover	1	
6	41211-000077	Electrical Box Cover	1	
7	41106-002375	Face Frame	1	
8	41103-000102	Vane	1	
9	41101-000127	Right Vertical Vane connector	1	
10	41101-000033	Vertical Vane Assembly	2	
11	22001-000313	Vane Motor	1	
12	31101-000272	Main PCB	1	
13	10104-100014	Indoor Sensor Assembly	1	
14	11304-100063	Terminal	1	
15		Transformer	1	
16	41105-000134	Electrical Box	1	
17	22001-000318	Step Motor	1	
18	41102-000087	Base	1	
19	41101-000242	In And Out Pipe Fixer	1	
20	22001-000307	Indoor Motor	1	
21	42003-000051	Indoor Motor Cover	1	
22	42009-000011	Drainage Hose	1	
23	41109-000041	Installation Plate	1	
24	92011-003149	Evaporator	1	
25	42004-000001	Cross Fan	1	
26	42007-000001	Bearing Mount	1	



Exploded View MGTC09E416-20

27	41101-000251	Bearing Mount Holder	1	
28	22007-000111	Power Supply Cord	1	
29	41101-000120	Left Vertical Vane Connector	1	
30	22013-003286	Remote Controller	1	Not shown in Explosion view
31	A1101-001823	Indoor Carton	1	
32	41110-000230	Left Foaming	1	
33	41110-000274	Right Foaming	1	