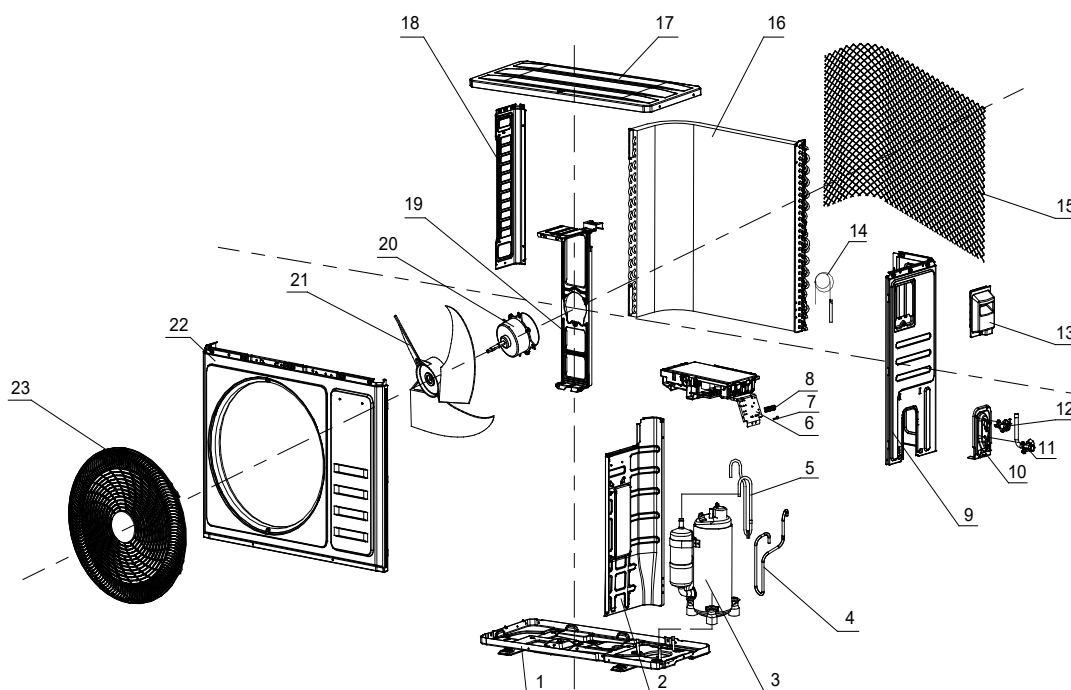


Exploded View MGTC0913C-20



No.	Part No.	Part Name	Qty	Remark
1	41202-000218	Base	1	
2	41208-000143	Partition plate	1	
3	92014-000142	Compressor and accessories	1	
4	92006-001664	Suction pipe	1	
5	92006-000507	Discharge pipe	1	
6	31201-002446	Outdoor PCB Assembly	1	
7	42001-000036	Cable clamp	1	
8	11304-100046	Terminal	1	
9	41205-000655	Right plate	1	
10	41204-000018	Valve supporter	1	
11	92007-001041	Three-way valve	1	
12	92007-001050	Two-way valve	1	
13	41299-001511	Eeectronic Box Cover	1	
14	92007-009177	Capillary assembly	1	
15	42011-000186	Grille	1	
16	92011-000836	Condenser	1	
17	41207-000040	Top cover	1	
18	41205-000120	Left plate	1	
19	41203-000051	Outdoor motor supporter	1	
20	22001-000049	Outdoor motor	1	
21	42004-000106	Propeller fan	1	
22	41206-000059	Front plate	1	
23	42011-000041	Fan guard	1	
24	10104-100056	Pipe Temp. sensor and outdoor Temp. sensor	1	Not shown in explosion view



Exploded View MGTC09C416-20

25	A2005-000536	Base carton	1	Not shown in explosion view
26	A1201-002330	Cabinet carton	1	
27	A1202-000041	Base foaming	1	
28	41213-000032	Cover foaming	1	