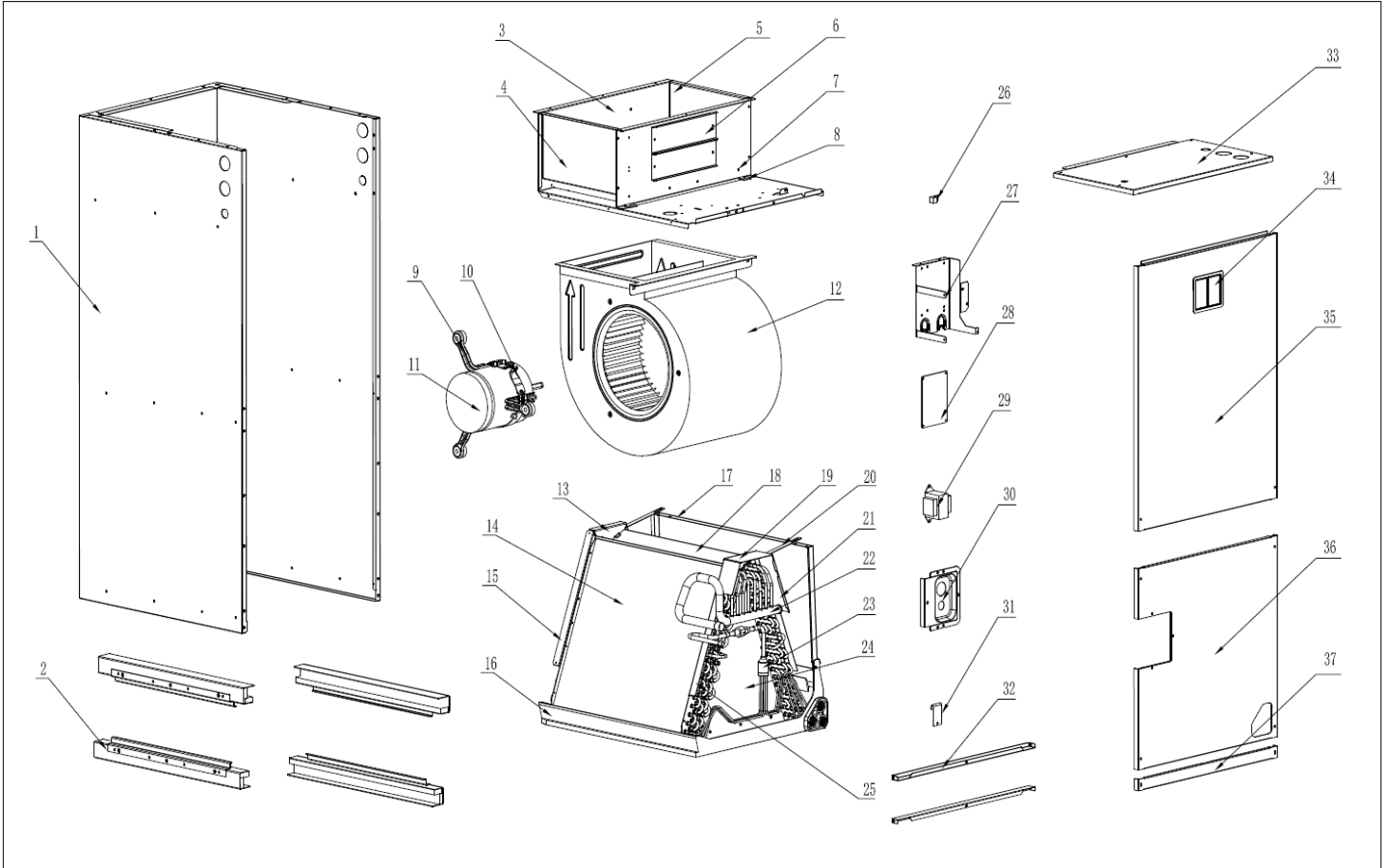
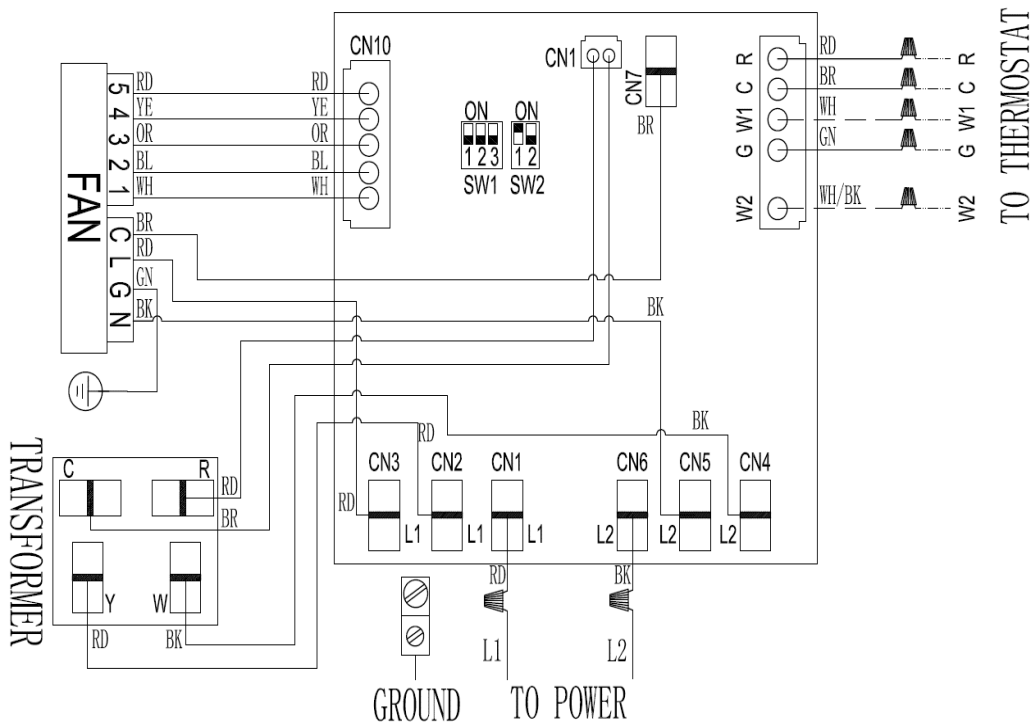


Exploded View - AHC48HA15





No.	Part Name	Quantity	Price(\$)	BOM Code	Remark
1	Base pan cotton sticking assembly	1		91047285	91.57
2	Drain pan support plate cotton sticking assembly	4		91047286	4.45
3	Wind wheel fixing plate	1		91047287	16.86
4	Left side panel of air duct	1		91047289	3.97
5	Right side panel of air duct	1		91047290	3.97
6	Electric heater sealing plate	2		91043691	1.73
7	Front side panel of air duct	1		91047288	5.66
8	Wind wheel mounting block	2		91043690	8.63
9	Motor fixing beam assembly	3		91043693	1.32
10	Motor clamp	1		91043692	0.80
11	Fan motor	1		91044857	287.09
12	Wind wheel volute	1		91038107	53.66
13	Evaporator fixing plate 1	1		91047292	0.65
14	Evaporator	2		91045718	127.18
15	Evaporator water baffle 1	2		91043697	0.56
16	Plastic drain pan cotton sticking assembly	1		91044422	23.02
17	Sheet metal drain pan cotton sticking assembly	1		91047295	10.43
18	Evaporator sealing plate cotton sticking assembly	1		91047294	1.42
19	Evaporator fixing plate 2	1		91047293	0.79
20	Connecting plate	2		91043703	3.38
21	Evaporator water baffle 3	1		91043700	0.79
22	Evaporator gas collector pipe assembly	1		91045719	20.96
23	Evaporator shunt pipe assembly	1		91045720	24.80
24	Evaporator connecting plate	2		91047291	0.77
25	Evaporator water baffle 2	1		91043699	0.74
26	Brass binding post	1		91043061	1.16
27	Electric control mounting plate	1		91043708	1.62
28	PCB	1		91034032	5.29
29	Transformer	1		91041237	14.66
30	Piping cover cotton sticking assembly	1		91043705	1.32
31	Drain pan fixing block	1		91043711	0.22
32	Support bar	2		91047299	0.64
33	Electric control box cover cotton sticking assembly	1		91047298	7.42
34	Circuit breaker sealing plate	1		91044424	0.41
35	Upper side panel cotton sticking assembly	1		91047297	14.66
36	Lower side panel cotton sticking assembly	1		91047296	12.35
37	Filter cover	1		91047300	1.34