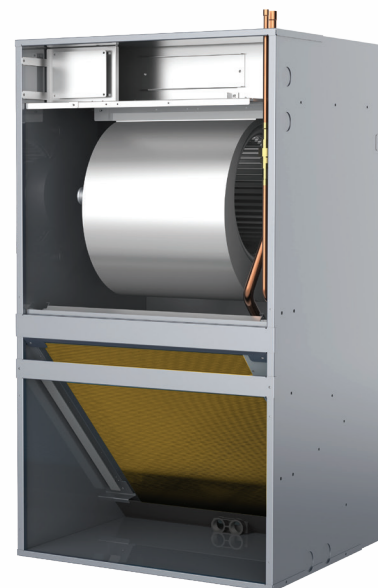


FAHC-15 Series (Front Return Wall Mount Air Handler Unit) Technical Specifications						
Model		FAHC18HA15	FAHC24HA15	FAHC30HA15	FAHC36HA15	
Power Supply		V/Ph/Hz	208-230 / 1 / 60	208-230 / 1 / 60	208-230 / 1 / 60	208-230 / 1 / 60
Cooling	Capacity	Btu/h	17500	22000	28000	33000
	SEER2	Btu/h.W	14.30	14.30	14.30	14.30
Indoor External Static Pressure		pa	145	145	145	145
Throttle Type		-	Orifice	Orifice	Orifice	Orifice
Indoor Coil	Number of Row	-	5	5	5	5
	Tube Pitch(a) x Row Pitch(b)	in	0.83×0.53	0.83×0.53	0.83×0.53	0.83×0.53
	Fin Spacing	in	1/17	1/17	1/17	1/17
	Fin Material	-	Hydrophilic Aluminum Fin	Hydrophilic Aluminum Fin	Hydrophilic Aluminum Fin	Hydrophilic Aluminum Fin
	Tube Outside Diameter	in/mm	Ø 0.27 / 7	Ø 0.27 / 7	Ø 0.27 / 7	Ø 0.27 / 7
	Tube Type	-	Inner Grooved	Inner Grooved	Inner Grooved	Inner Grooved
	Coil Length x Height x Width	in	16.97×18.2×2.63	16.97×18.2×2.63	17.44×23.15×2.63	17.44×23.15×2.63
		mm	431×462.2×66.8	431×462.2×66.8	442.9×588×66.8	442.9×588×66.8
Indoor Fan Motor	Number of Circuit	-	6	6	8	8
	Brand	-	Genteq/Wolong/Broad-Ocean	Genteq/Wolong/Broad-Ocean	Genteq/Wolong/Broad-Ocean	Genteq/Wolong/Broad-Ocean
	Type	-	ECM	ECM	ECM	ECM
	Input	W	185	230	270	330
	Output	W	249	249	373	373
Blower	Speed	rpm	900/935/960/1010/1050	900/935/960/1010/1050	900/930/960/1000/1030	900/930/960/1000/1030
	Diameter	in/mm	11 / 279.4	11 / 279.4	11 / 279.4	11 / 279.4
	Width	in/mm	6 / 152.4	6 / 152.4	10 / 254	10 / 254
Indoor Air Flow		CFM	715	805	1020	1145
Air Filter Size		in/mm	15×19×1 / 381×483×25.4	15×19×1 / 381×483×25.4	20×20×1 / 381×483×25.4	20×20×1 / 381×483×25.4
Indoor Dimension	Unit (W*H*D)	in	20-3/5×36×15	20-3/5×36×15	22-1/10×39-3/5×19	22-1/10×39-3/5×19
		mm	524×915×381	524×915×381	562×1006×485	562×1006×485
	Packing (W*H*D)	in	23-1/5×39-2/5×17-7/10	23-1/5×39-2/5×17-7/10	24-3/5×42-9/10×21-3/5	24-3/5×42-9/10×21-3/5
		mm	590×1000×450	590×1000×450	625×1090×550	625×1090×550
	Net / Gross Weight	lb	88 / 97	88 / 97	112 / 123	112 / 123
		kg	40 / 44	40 / 44	51 / 56	51 / 56
Refrigerant Pipe	Liquid Side	in	Ø 3/8	Ø 3/8	Ø 3/8	Ø 3/8
	Gas Side	in	Ø 3/4	Ø 3/4	Ø 3/4	Ø 3/4



Field Installed Electric Heat Kits (Optional)		
PART NUMBER	kW	AHU Size
WFM0502BE	5	18k-36k
WFM0802BE	7.5	18k-36k
WFM1002BE	10	24k-36k



● CAC-15 Series Features:

- 1.5 to 5 ton capacity
- 14.3 SEER2
- 11.7 EER2
- All copper Coil
- Scroll Compressor
- Painted Galvanized steel cabinet and base pan
- Ultra-Quiet operation max 65 decibels



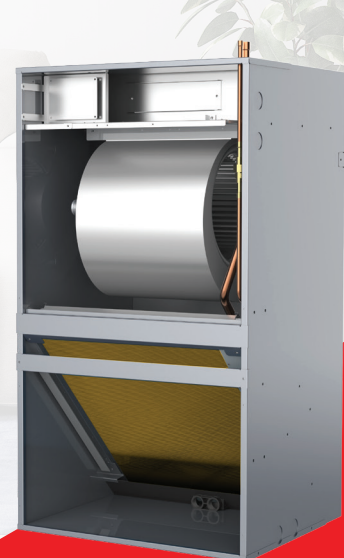
● AHC-15 Series Air Handler Features:

- Multi position – Upflow, downflow or horizontal
- All copper coils
- Cooling, heat pump and electric heat compatible
- Highly efficient variable speed ECM blower motor (select models)
- Fully enclosed insulated cabinet
- Durable corrosion resistant finish
- 24V Connectivity
- AHRI Certified
- ETL Listed for safety



● FAHC-15 Series Front Return Wall Mount Air Handler Features:

- All copper tube with aluminum fin coil
- Multi-Speed ECM motor for energy savings
- Full insulated, powder coated painted galvanized steel cabinet
- Front or bottom return
- Primary and secondary drain connections to meet FHA requirements
- Optional field installed electrical heat kit available
- Built in filter rack
- Thermoplastic drain pan
- Cooling and heat pump compatible
- AHRI Certified



15 SEER2



CAC-AHC-FAHC-15 SERIES

SPLIT SYSTEM
HEAT PUMP
ON/OFF



www.everwell-ac.com



