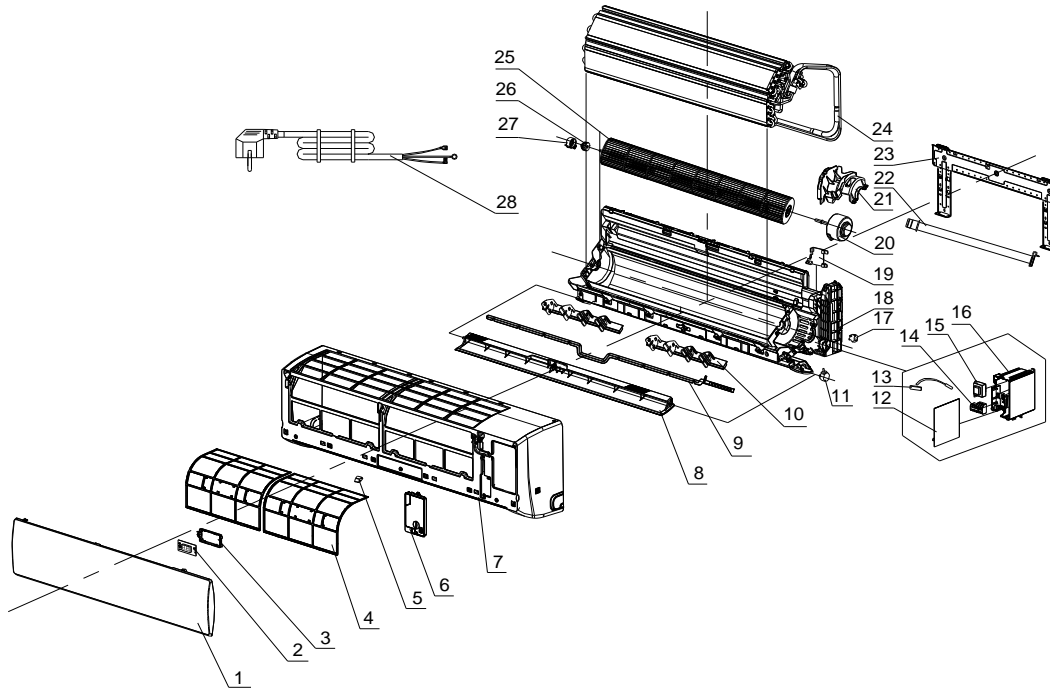


## Exploded View - MGTC3623EA-17



No.	Part No.	Part Name	Qty	Remark
1	41106-002086	Front Panel	1	
2	31102-000109	Display PCB	1	
3	42003-000001	Display PCB Box	1	
4	42008-000239	Air Filter	1	
5	41108-000066	Screw Cover	2	
6	41211-000079	Electrical Box Cover	1	
7	41106-014054	Face Frame	1	
8	41101-000374	Vane	1	
9	41101-000529	Vertical Vane Connector	1	
10	41103-000643	Vertical Vane Assembly	1	
11	29901-000078	Vane Motor	1	
12	31101-002056	Main PCB	1	
13	10104-100022	Indoor Sensor Assembly	1	
14	11304-100063	Terminal	1	
15	/	Transformer	1	
16	41105-000427	Electrical Box	1	
17	22001-000360	Step Motor	1	
18	41102-000609	Base	1	
19	42001-000103	In And Out Pipe Fixer		
20	22001-000240	Indoor Motor	1	
21	42009-000011	Drainage Hose	1	



## Exploded View - MGTC3623EA-17

No.	Part No.	Part Name	Qty	Remark
22	41108-000203	Indoor Motor Cover	1	
23	41109-000084	Installation Plate	1	
24	92011-009790	Evaporator	1	
25	42004-000242	Cross Fan	1	
26	42007-000009	Bearing Mount	1	
27	41101-000250	Bearing Mount Supporter	1	
28	22007-000104	Power Supply Cord	1	
29	22013-004238	Remote Controller	1	
30	A2005-001127	Indoor Carton	1	Not shown in Explosion view
31	A1102-000042	Left Foaming	1	
32	A1102-000043	Right Foaming	1	