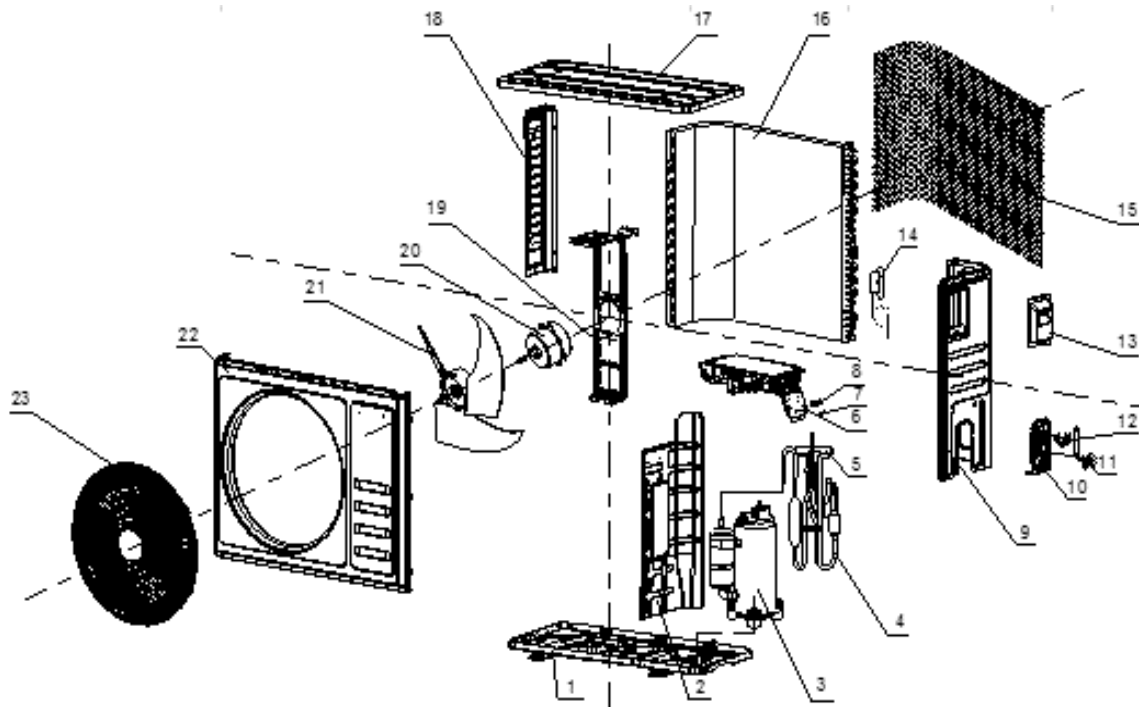


Exploded View - MGTC3623CA-17



No.	Part No.	Part Name	Qty	Remark
1	41202-000530	Base	1	
2	41208-001049	Partition plate	1	
3	95017-000031	Compressor and accessories	1	
4	92007-018644	4-way valve assembly	1	
5	92008-000206	4-way valve	1	
6	31201-002772	Outdoor PCB assembly	1	
7	42001-000036	Cable clamp	1	
	42001-000038	Cable clamp	1	
8	11304-100117	Terminal	1	
9	41205-000800	Right plate	1	
10	41204-000018	Valve supporter	1	
11	92007-001045	Three-way valve	1	
12	92007-001050	Two-way valve	1	
13	41201-000106	Electrical box cover	1	
14	92007-018646	Electrical Expansion Valve	1	
15	42011-000419	Grille	1	
16	92011-009881	Condenser	1	
17	41207-000048	Top cover	1	
18	41205-000651	Left Plate	1	
19	41203-000115	Outdoor motor supporter	1	
20	22001-000147	Outdoor motor	1	



Exploded View - MGTC3623CA-17

No.	Part No.	Part Name	Qty	Remark
21	42004-000249	Propeller fan	1	
22	41206-000076	Front plate	1	
23	42011-000031	Fan guard	1	
24	10104-100058	Outdoor Temp. sensor Assembly	1	Not shown in Explosion view
25	A1201-012669	Base carton	1	
26	A1201-012670	Cabinet carton	1	
27	A1202-000086	Base foaming	1	
28	A1202-000085	Cover foaming	1	