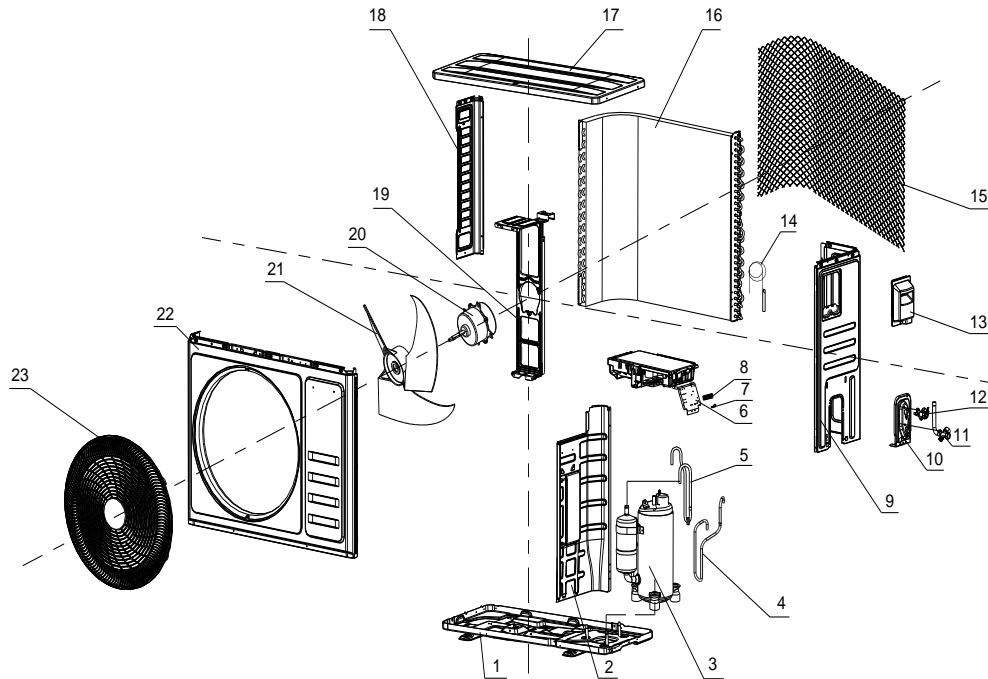


## Exploded View - MGTC1823CA-20



No.	Part No.	Part Name	Qty	Remark
1	41202-000364	Base	1	
2	41208-000149	Partition plate	1	
3	92014-000861	Compressor and accessories	1	
4	92007-019508	Suction pipe	1	
5	92006-008558	Discharge pipe	1	
6	31201-002815	Outdoor PCB Assembly	1	
7	42001-000036	Cable clamp	1	
8	11304-100117	Terminal	1	
9	41205-000087	Right plate	1	
10	41204-000018	Valve supporter	1	
11	92007-001041	Three-way valve	1	
12	92008-000051	Two-way valve	1	
13	41201-000106	Eelectronic Box Cover	1	
14	92007-019381	Capillary assembly	1	
15	42011-000169	Grille	1	
16	92011-007723	Condenser	1	
17	41207-000033	Top cover	1	
18	41205-000119	Left plate	1	
19	41203-000052	Outdoor motor supporter	1	
20	22001-000493	Outdoor motor	1	
21	42004-000104	Propeller fan	1	



## Exploded View - MGTC1823CA-20

No.	Part No.	Part Name	Qty	Remark
22	41206-000057	Front plate	1	
23	42011-000040	Fan guard	1	
24	10104-100056	Pipe Temp. sensor and outdoor	1	
25	A2005-000532	Base carton	1	Not shown in Explosion view
26	A1201-002331	Cabinet carton	1	
27	A1202-000037	Base foaming	1	
28	41213-000031	Cover foaming	1	