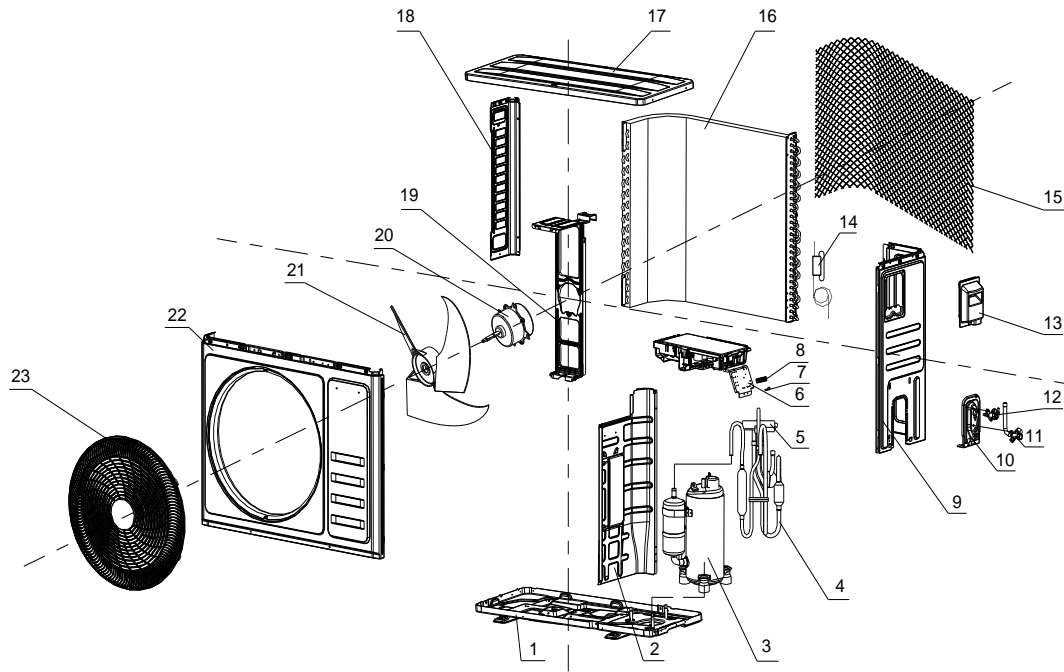


Exploded View - METH1823C1-16



No.	Part No.	Part Name	Qty	Remark
1	41202-000364	Base	1	
2	41208-000149	Partition plate	1	
3	92014-000804	Compressor and accessories	1	
4	92007-010781	4-way valve assembly	1	
5	92008-000245	4-way valve	1	
6	31201-002203	Outdoor PCB assembly	1	
7	42001-000038	Cable clamp 1	1	
	42001-000035	Cable clamp 2	1	
8	11304-100004	Terminal	1	
9	41205-000238	Right plate	1	
10	41204-000018	Valve supporter	1	
11	92007-001041	Three-way valve	1	
12	92008-000258	Two-way valve	1	
13	41201-000029	Electrical box cover	1	
14	92007-007483	Capillary assembly	1	
15	42011-000170	Grille	1	
16	92011-007816	Condenser	1	
17	41207-000033	Top cover	1	
18	41205-000130	Left Plate	1	
19	41203-000052	Outdoor motor supporter	1	
20	22001-000493	Outdoor motor	1	



Exploded View - METH1823C1-16

No.	Part No.	Part Name	Qty	Remark
21	42004-000104	Propeller fan	1	
22	41206-000055	Front plate	1	
23	42011-000081	Fan guard	1	
24	10104-100056	Outdoor Temp. sensor assembly	1	Not shown in explosion view
25	A2005-000540	Base carton	1	
26	A1201-000396	Cabinet carton	1	
27	A1202-000026	Base foaming	1	
28	41213-000019	Cover foaming	1	