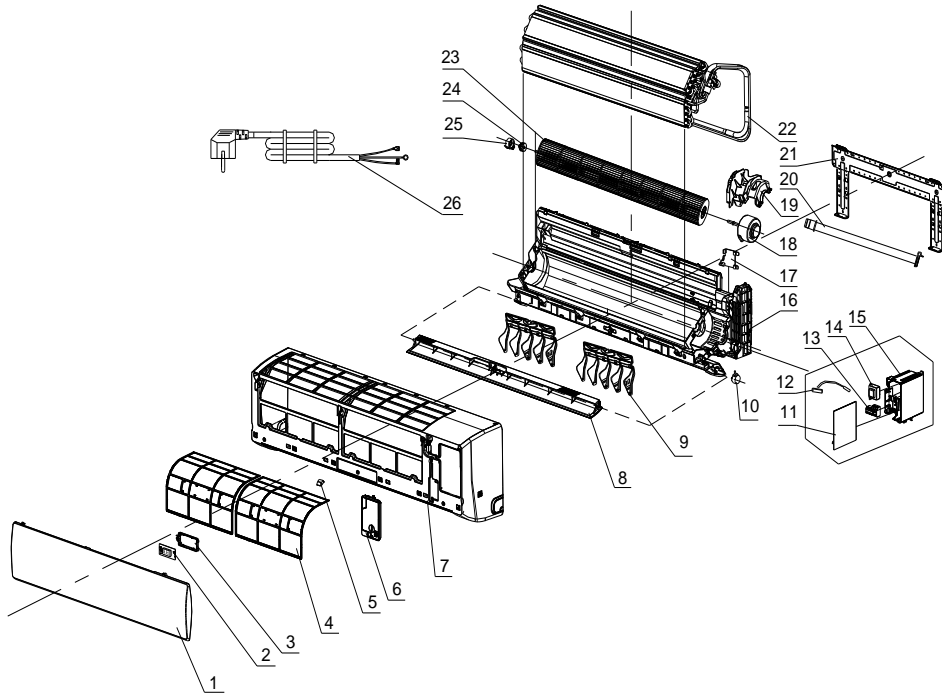


## Exploded View - METH1213E1-16



No.	Part No.	Part Name	Qty	Remark
1	41106-002048	Front Panel	1	
2	31102-000085	Display PCB	1	
3	42003-000001	Display PCB Box	1	
4	42008-000037	Air Filter	2	
5	41108-000066	Screw Cover	1	
6	41201-000068	Electrical Box Cover	1	
7	41106-002371	Face Frame	1	
8	41103-000101	Vane	1	
10	41101-000081	Vertical Vane Assembly	2	
11	22001-000313	Vane Motor	1	
12	31101-001734	Main PCB	1	
13	10104-100014	Indoor Sensor Assembly	1	
14	11304-100028	Terminal	1	
15	10502-100037	Transformer	1	
17	41105-000415	Electrical Box	1	
17.1	41199-002741	Base	1	
17.3	41101-000242	In And Out Pipe Fixer	1	
18	22001-000238	Indoor Motor	1	
18.1	42003-000060	Indoor Motor Cover	1	
19	11103020003119	DC Inverter rotary compressor	1	
20	42009-000011	Drainage Hose	1	



## Exploded View - METH1213E1-16

No.	Part No.	Part Name	Qty	Remark
21	41109-000042	Installation Plate	1	
22	92011-006275	Evaporator	1	
23	42004-000039	Cross Fan	1	
24	42007-000001	Bearing Mount	1	
25	41101-000251	Bearing Mount holder	1	
26	22007-000012	Power Supply Cord	1	
27	22013-000781	Remote Controller	1	
28	A1101-002013	Indoor Carton	1	Not shown in Explosion view
29	41110-000221	Left Foaming	1	
30	41110-000260	Right Foaming	1	