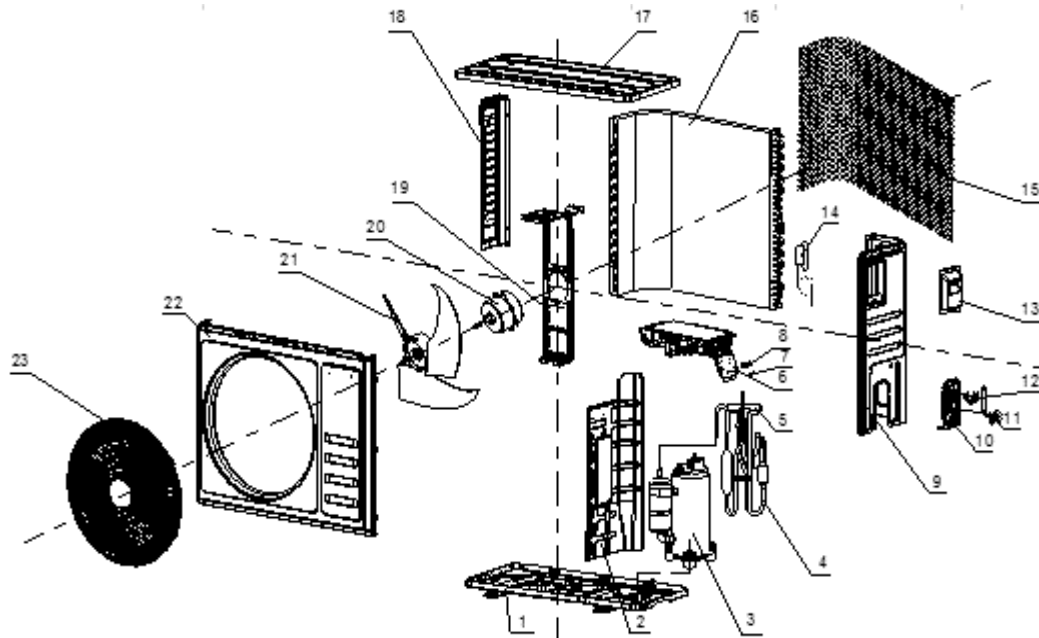


## Exploded View - METH1213C1-16



No.	Part No.	Part Name	Qty	Remark
1	41202-000177	Base	1	
2	41208-000142	Partition plate	1	
3	92014-000760	Compressor and accessories	1	
4	92007-010242	4-way valve assembly	1	
5	92008-000318	4-way valve	1	
6	31201-002296	Outdoor PCB Assembly	1	
7	42001-000038	Cable clamp	1	
8	11304-100017	Terminal	1	
10	41205-000230	Right plate	1	
11	41204-000018	Valve supporter	1	
12	92007-001041	Three-way valve	1	
13	92007-007317	Two-way valve	1	
14	41201-000029	Eelectronic Box Cover	1	
15	92007-009537	Capillary assembly	1	
17	42011-000184	Grille	1	
17.1	92011-007726	Condenser	1	
17.3	41207-000029	Top cover	1	
18	41205-000133	Left plate	1	
18.1	41203-000054	Outdoor motor supporter	1	
19	11103020003119	DC Inverter rotary compressor	1.0	



## Exploded View - METH1213C1-16

No.	Part No.	Part Name	Qty	Remark
20	22001-000493	Outdoor motor	1	
21	42004-000107	Propeller fan	1	
22	41206-000054	Front plate	1	
23	42011-000088	Fan guard	1	
24	10104-100055	Outdoor Temp. sensor assembly	1	
25	A2005-000523	Base carton	1	
26	A1201-003463	Cabinet carton	1	
27	A1202-000031	Base foaming	1	
28	41213-000023	Cover foaming	1	