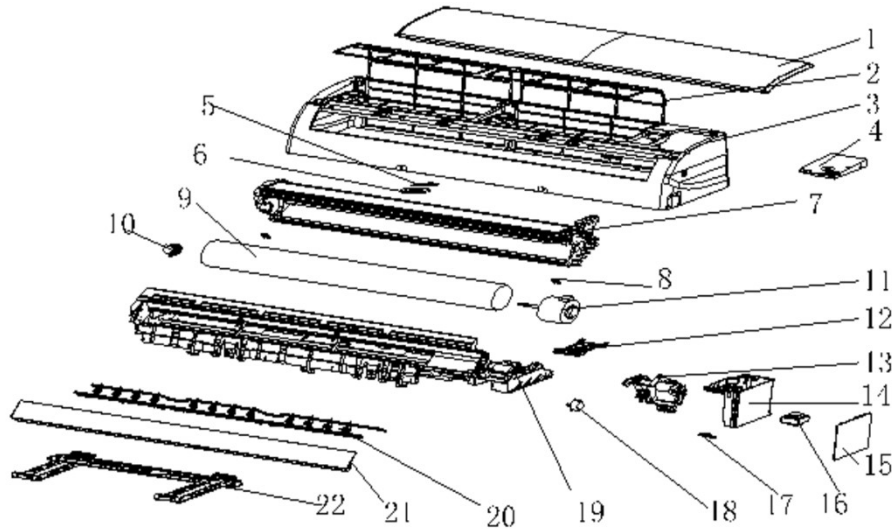


## Exploded View METH1213E-16



No.	Part No.	Part Name	Qty	Remark
1	41106-002048	Front Panel	1	
2	42008-000037	Air Filter	2	
3	41106-002371	Face Frame	1	
4	41201-000068	Electrical Box Cover	1	
5	31102-000085	Display PCB	1	
6	42003-000001	Display PCB Box	1	
7	92011-003194	Evaporator	1	
8	41108-000066	Screw Cover	1	
9	42004-000039	Cross Fan	1	
10	42007-000001	Bearing Mount	1	
11	22001-000238	Indoor Motor	1	
12	41101-000242	In And Out Pipe Fixer	1	
13	42003-000060	Indoor Motor Cover	1	
14	41105-000104	Electrical Box	1	
15	31101-001254	Main PCB	1	
16	10502-100037	Transformer	1	
17	42001-000112	Cable Clamp	1	
18	22001-000313	Vane Motor 1	1	
19	41199-002735	Base	1	
20	41101-000081	Vertical Vane Assembly	2	
21	41103-000101	Vane	1	
22	41109-000042	Installation Plate	1	
23	10104-100014	Indoor Sensor Assembly	1	Not shown in Explosion view
24	42009-000011	Drainage Hose	1	
25	22013-000781	Remote Controller	1	
26	A1101-002013	Indoor Carton	1	



## Exploded View METH1213E-16

No.	Part No.	Part Name	Qty	Remark
27	41110-000221	Left Foaming	1	Not shown in Explosion view
28	41110-000260	Right Foaming	1	