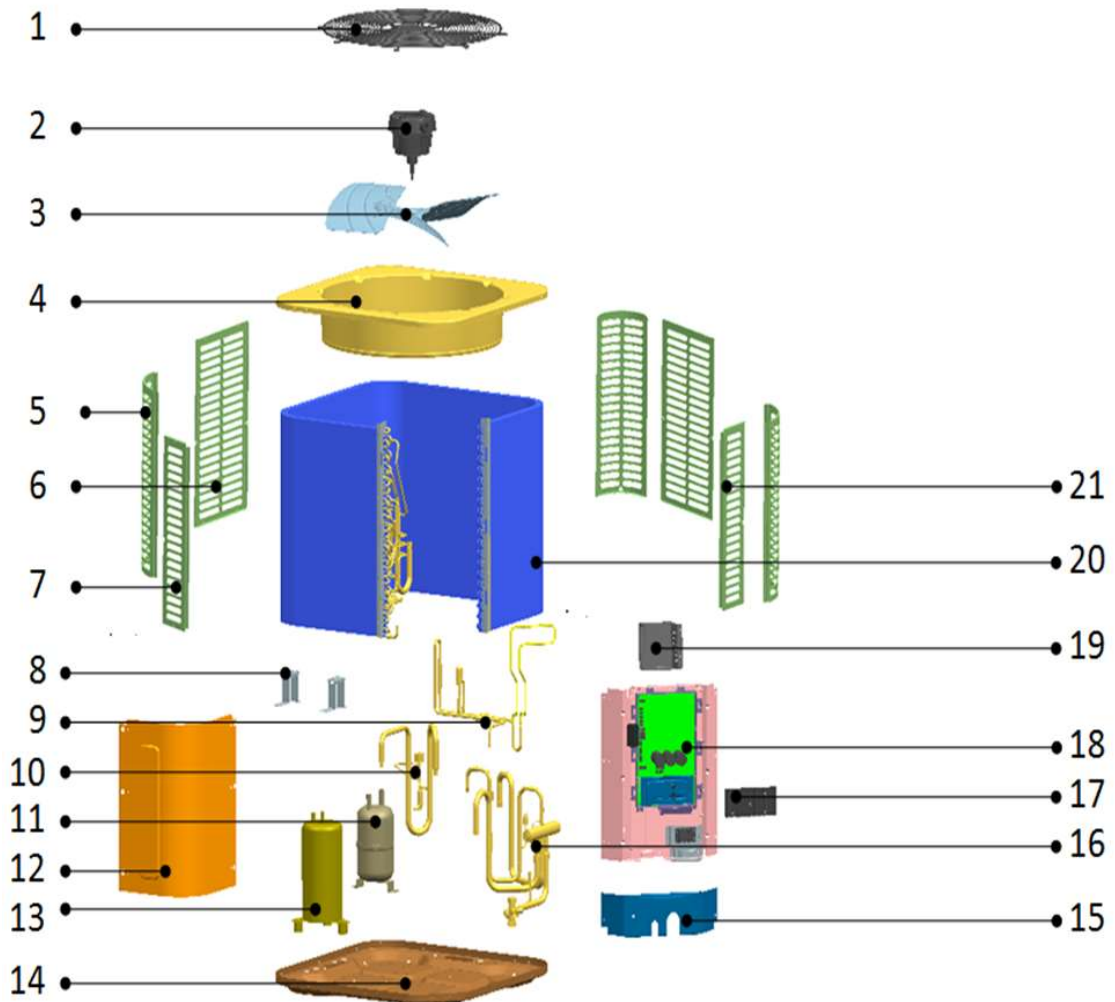
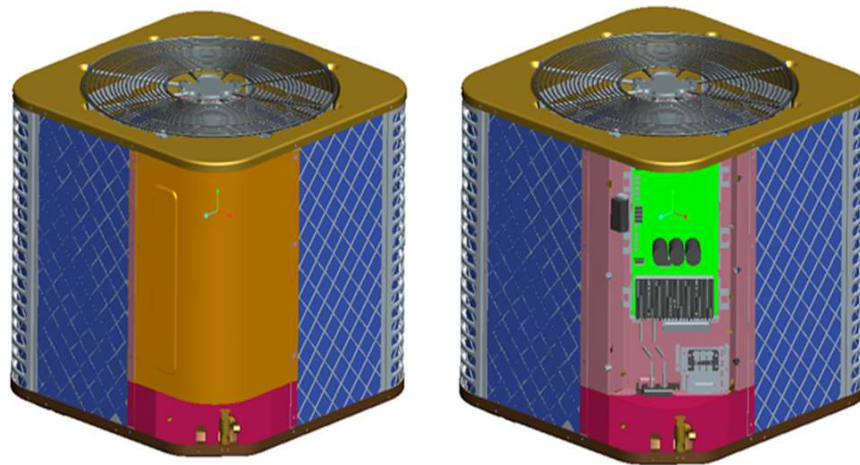
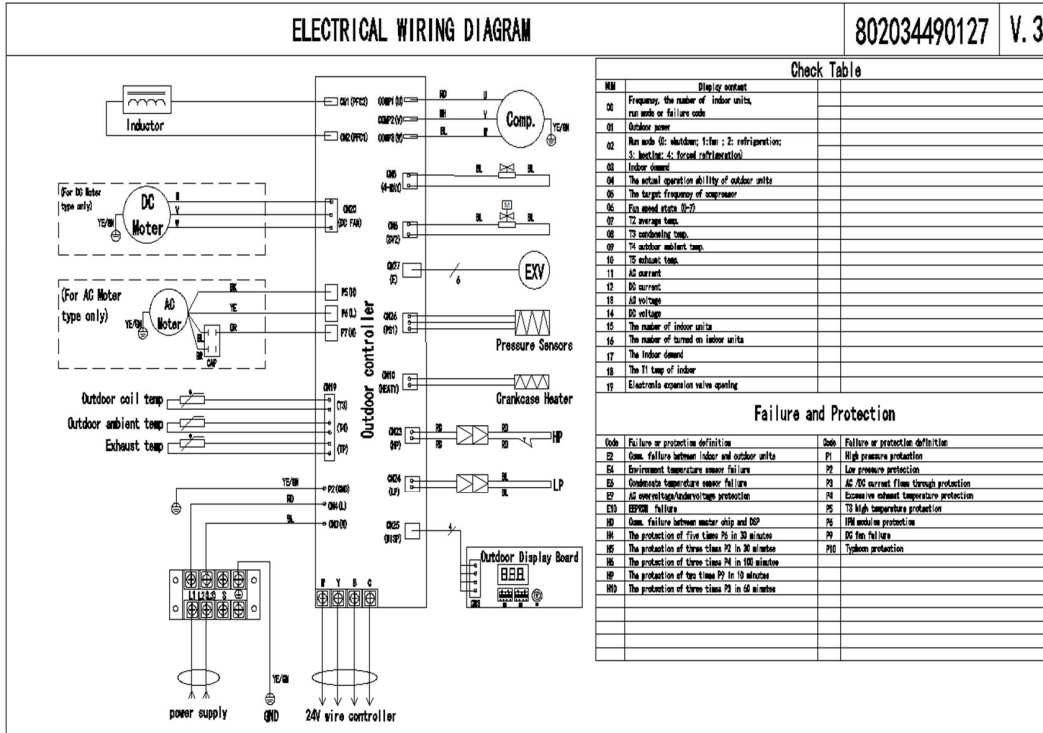


## Exploded View CAC2413H18





## Exploded View CAC2413H18



No.	Part No.	Part Name	Qty	Remark
1	802925490001	Cover net	1	
2	802400400766	Outdoor motor	1	
3	802925490002	Axial-flow fan	1	
4	801225490037	Top cover assembly	1	
5	801224290030	Support board	3	
6	801224290063	Rear side panel	1	
7	801224290067	Left side panel	1	
8	801233490146	Piping support plate	2	
9	801639090316	Cooling pipe components of refrigerant	1	
10	801633490286	Return pipe welding assembly	1	
10.1	801600100066	Solenoid valve	1	
10.2	801633490287	Air-return pipe #1 of compressor	1	
10.3	801602500102	Air-return pipe #2 of compressor	1	
10.4	801642002584	Capillary gas-liquid bypass	1	
10.5	801602500164	L-shaped tube	1	
10.6	802401601332	Coil of olenoid valve	1	
11	801601200047	Gas liquid separator	1	
12	801239090251	Top panel	1	
13	801401400168	Compressor	1	
14	801225490186	Chassis assembly	1	
15	801239090252	Left side panel	1	
16	801633490275	Piping components	1	
16.1	801639090321	High pressure valve welding assembly	1	



## Exploded View CAC2413H18

No.	Part No.	Part Name	Qty	Remark
16.1.1	801639090322	High pressure valve connecting pipe	1	
16.1.2	801600900069	Square valve	1	
16.2	801633490317	Electronic expansion valve assembly	1	
16.2.1	801600300013	Check valve	1	
16.2.2	801642090003	Two-way filter	2	
16.2.3	801600400071	Electronic expansion valve	1	
16.2.4	801642001506	L-shaped tube	1	
16.2.5	802419900276	Coil of electronic expansion valve	1	
16.3	801633490280	Four way valve assembly	1	
16.3.1	801600100030	Four way valve	1	
16.3.2	801633490281	Four-way valve connecting pipe #1	1	
16.3.2.	802300900041	Pressure Switch	1	
16.3.2.	801633490284	Four-way valve connecting pipe #1	1	
16.3.2.	801602500081	L-shaped tube	1	
16.3.2	801633490282	Four-way valve connecting pipe #4	1	
16.3.2.	801600900072	Square valve	1	
16.3.2.	801633490285	Four-way valve connecting pipe #4	1	
16.3.2.	802339090007	Pressure sensor	1	
16.3.3	801633490288	Four-way valve connecting pipe #2	1	
16.3.4	801633490283	Four-way valve connecting pipe #3	1	
16.3.5	802401601331	Coil of four-way valve	1	
17	801239090260	Radiator cover	1	
18	803332890034	Electronic components	1	
18.1	801239090254	Terminal block mounting plate	1	
18.2	801139090003	Main control board mounting base	1	
18.3	801139090004	Communication board mounting base	1	
18.4	802042090209	English main power label	1	
18.5	801319900006	Outdoor main control board assembly	1	
18.6	802401800129	Terminal	1	
18.7	801239090253	Electronically controlled mounting plate	1	
18.8	802301900002	Outdoor communication display board	1	
18.9	802300300043	Reactor	1	
18.10	802401100094	Fan motor capacitance	1	
19	801239090330	Reactor mounting cover	1	
20	801533490085	Condenser parts	1	
20.1	801533490088	Condenser assembly	1	
20.2	801633490290	Condenser input pipe assembly	1	
20.3	801633490289	Condenser output pipe assembly	1	
21	801224290065	Right side panel	1	