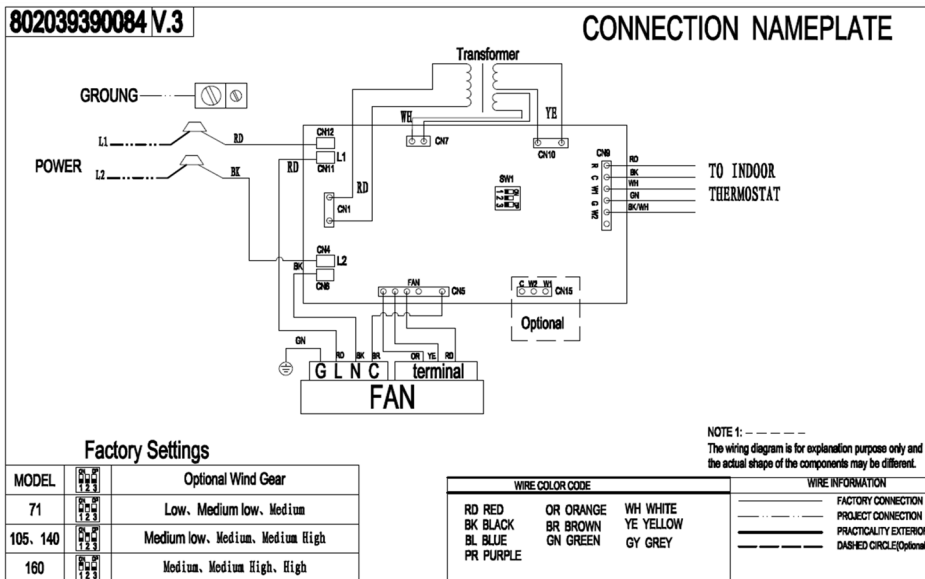
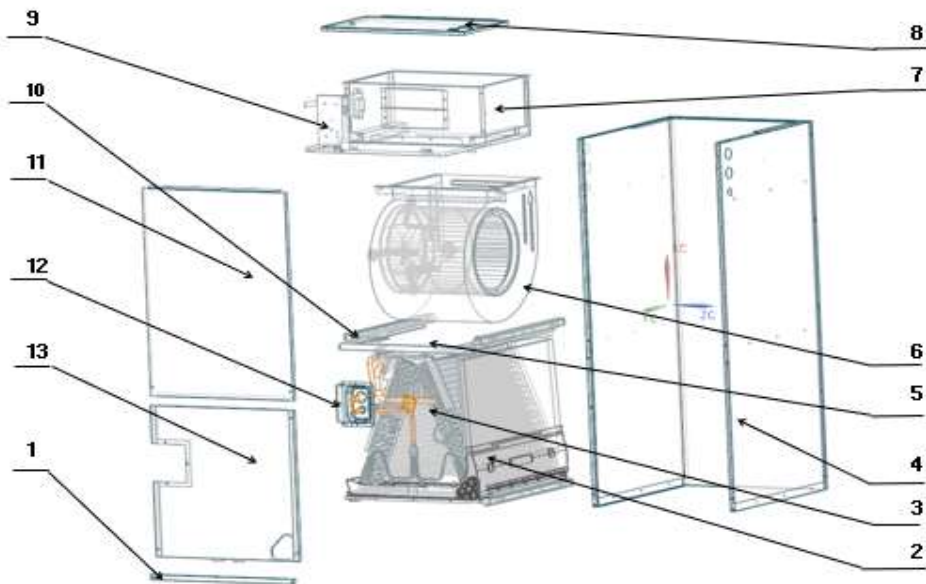
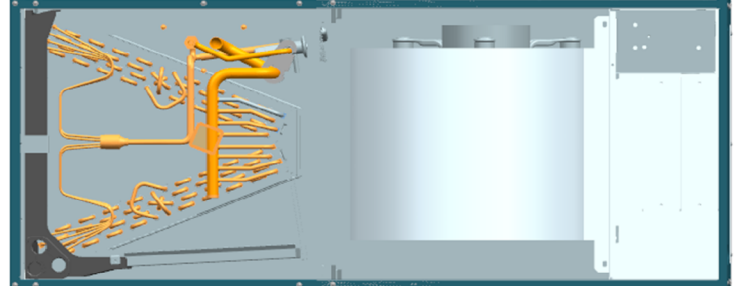
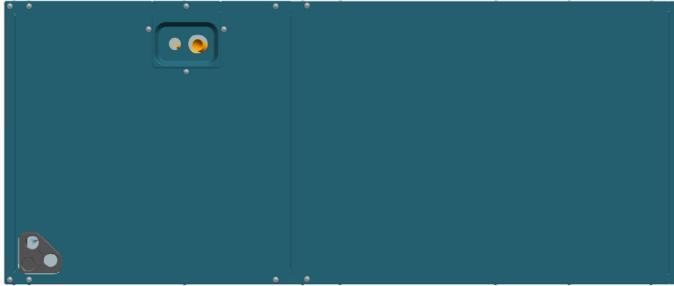


Exploded View AHC60H18





Exploded View AHC60H18

No.	Part No.	Part Name	Qty	Remark
1	801239390088	Filter Cover plate	1	
2	801239390082	Water pan components	1	
2.1	801139390001	Water pan# 1	1	
2.2	801239390029	Water pan# 2	1	
2.3	801234590091	Water pan fixed block	1	
2.4	801234190193	Water pan brace	2	
3.1	801634590028	Air header Assembly	1	
3.2	801634590027	Diverter Assembly	1	
3.3	801600400101	TXV	1	
3.4	801534590028	Evaporator A	1	
3.5	801534590029	Evaporator B	1	
3.6	801534590030	Evaporator C	1	
3.7	801534590031	Evaporator D	1	
3.8	801239390052	Evaporator Baffle	1	
3.9	801234590095	Evaporator Water Baffle #1	2	
3.10	801234590096	Evaporator Water Baffle #2	1	
3.11	801234590097	Evaporator Water Baffle #3	1	
3.12	801239390053	Evaporator Fixing Plate #1	1	
3.13	801239390056	Evaporator Fixing Plate #2	1	
3.14	801239390054	Evaporator Junction Plate	1	
3.15	801234190200	Evaporator Baffle weld assembly	1	
4	801239390045	Chassis assembly	1	
5	801239390051	Supporter	2	
6.1	801200200040	Right Volute Wind Wheel	1	
6.2	802400400763	Indoor Motor	1	
7	801239390057	Fan Motor Fixing plate assembly	1	
7.1	801239390089	Fan Motor Fixing plate	1	
7.2	801234590106	Wind Wheel Fixed Block	2	
7.3	801239390090	Fixed plate on air duct	1	
7.4	801239390036	Stator	2	
7.5	801239390023	air duct left stationary plate	1	
7.6	801239390024	air duct right stationary plate	1	
8	801239390060		1	
9	803339390019	Electronic Control Components	1	
9.1	801234590202	Electronic Control Mounting Plate	1	
9.2	803339390018	Main Board	1	
9.3	802300200087	Transformer	1	
10	801239390083	Water pan supporter assembly	4	
11	801239390046	Upper side plate assembly	1	
12	801234590081	Pipe Cover plate assembly	1	
13	801239390048	Lower side plate assembly	1	