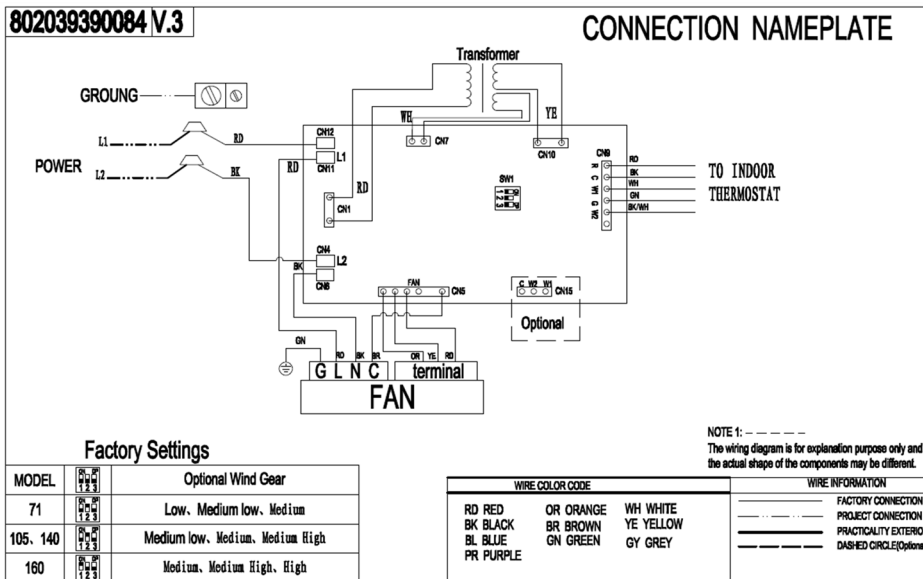
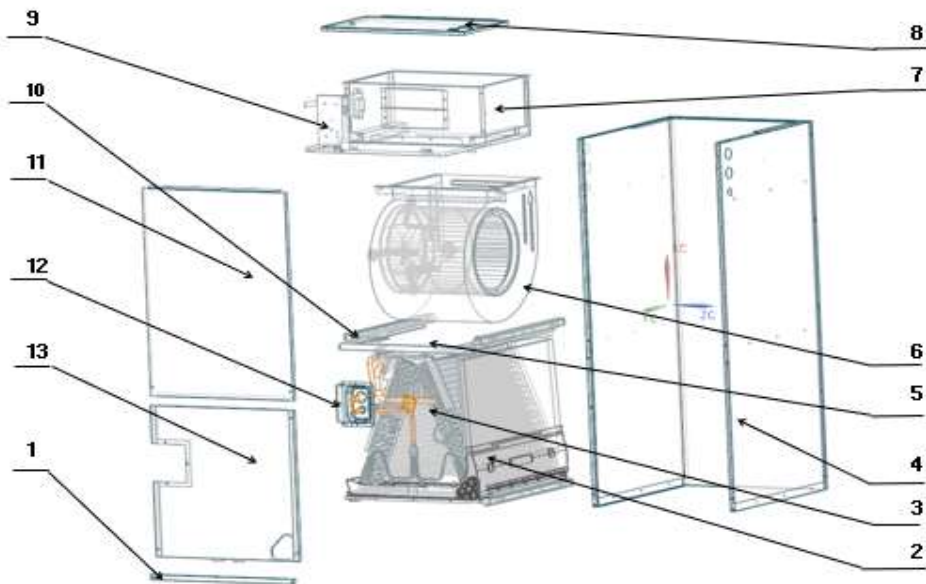
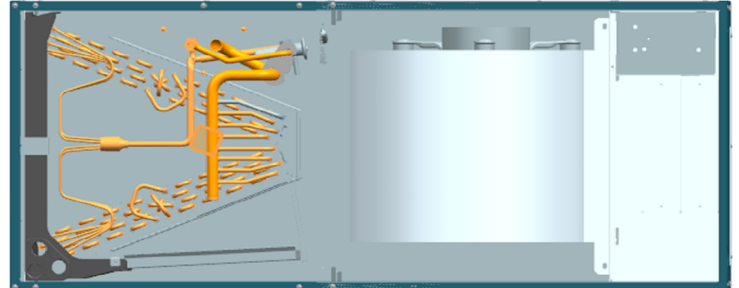
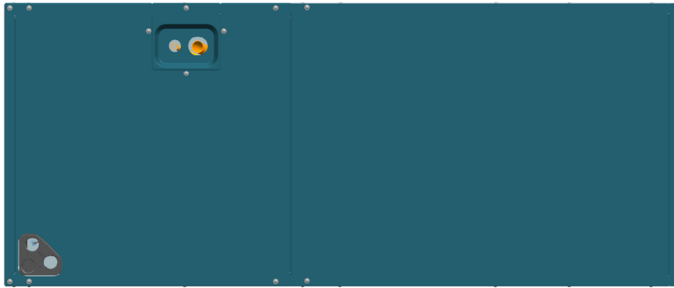




Exploded View AHC36H18





Exploded View AHC36H18

No.	Part No.	Part Name	Qty	Remark
1	801233590166	Filter Cover plate	1	
2	801233590165	Water pan components	1	
2.1	801134590002	Water pan# 1	1	
2.2	800734590102	Water pan# 2	1	
2.3	801234590091	Water pan fixed block	1	
2.4	801234190193	Water pan brace	2	
3.1	801633590039	Air header Assembly	1	
3.2	801633590041	Diverter Assembly	1	
3.3	801600400099	TXV	1	
3.4	801633590042	Connecting pipe	1	
3.5	801533590038	Evaporator	2	
3.6	801239390040	Evaporator Baffle	1	
3.7	801233590156	Evaporator baffle welded assembly	1	
3.8	801234590095	Evaporator Water Baffle #1	2	
3.9	801234590096	Evaporator Water Baffle #2	1	
3.10	801234590097	Evaporator Water Baffle #3	1	
3.11	801233590141	Evaporator Fixing Plate #1	1	
3.12	801233590144	Evaporator Fixing Plate #2	1	
3.13	801233590142	Evaporator Junction Plate	1	
4	801233590133	Chassis assembly	1	
5	801234590090	Supporter	2	
6.1	801200200040	Right Volute Wind Wheel	1	
6.2	802400400762	Indoor Motor	1	
7	801239390034	Fan Motor Fixing plate assembly	1	
7.1	801239390092	Fan Motor Fixing plate	1	
7.2	801234590106	Wind Wheel Fixed Block	2	
7.3	801239390091	Fixed plate on air duct	1	
7.4	801239390036	Stator	2	
7.5	801239390025	air duct left stationary plate	1	
7.6	801239390026	air duct right stationary plate	1	
8	801233590139		1	
9	803339390019	Electronic Control Components	1	
9.1	801234590202	Electronic Control Mounting Plate	1	
9.2	803339390018	Main Board	1	
9.3	802300200087	Transformer	1	
10	801233590167	Water pan supporter assembly	4	
11	801233590135	Upper side plate assembly	1	
12	801234590081	Pipe Cover plate assembly	1	
13	801233590137	Lower side plate assembly	1	