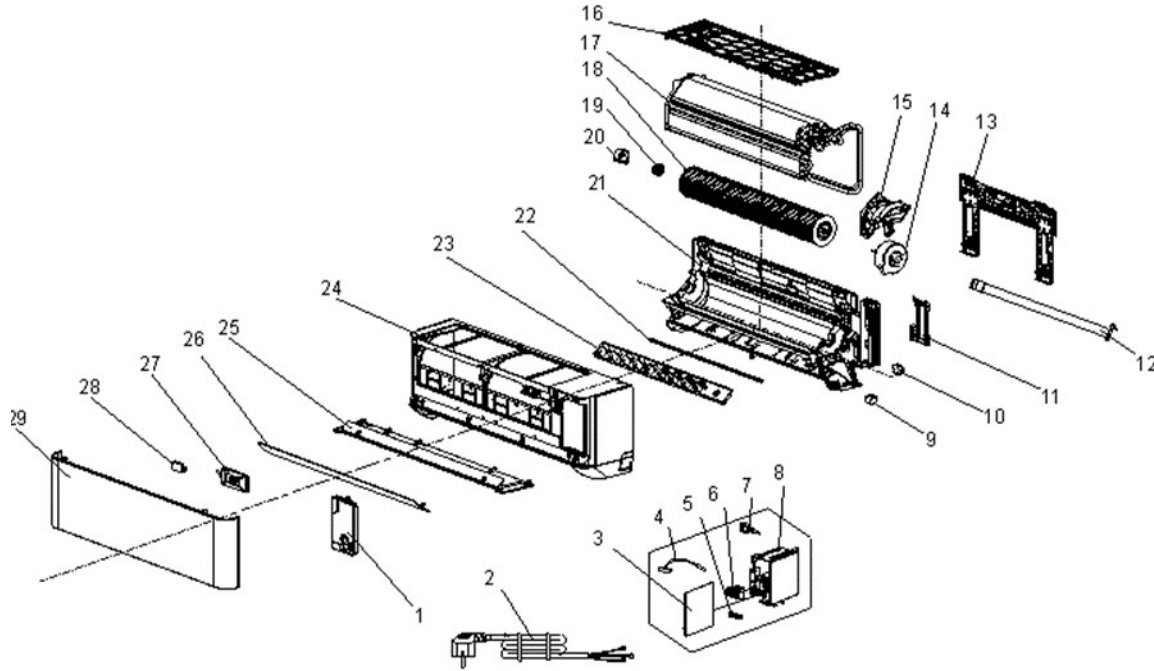




Exploded View MRTH1823E



No.	Part No.	Part Name	Qty	Remark
1	41105-000373	Electrical Box Cover	1	
2	22007-000055	Power Supply Cord	1	
3	31101-001407	Main PCB	1	
4	10104-100014	Indoor Sensor Assembly	1	
5	42001-000103	Cable Clamp	1	
6	11304-100023	Terminal	1	
7	10502-100030	Transformer	1	
8	41105-000104	Electrical Box	1	
9	22001-000313	Vane Motor	1	
10		Step Motor		
11	41101-000354	In And Out Pipe Cover	1	
12	42009-000011	Drainage Hose	1	
13	41109-000075	Installation Plate	1	
14	22001-000506	Indoor Motor	1	
15	41108-000153	Indoor Motor Cover	1	
16	41108-000154	Air Filter	2	
17	92011-005386	Evaporator	1	
18	42004-000175	Cross Fan	1	
19	42007-000009	Bearing Mount	1	
20	41101-000251	Bearing Mount Holder	1	
21	41199-004428	Base	1	
22	41101-000400	Step Motor Connect Rod	1	
23	41101-000346	Vertical Vane Assembly	2	



Exploded View MRTH1823E

No.	Part No.	Part Name	Qty	Remark
27	31102-000282	Display PCB	1	
28		WIFI Module		
29	41106-004047	Panel	1	
30	22013-000781	Remote Controller	1	
31	A1101-009263	Indoor Carton	1	Not shown in Explosion view
32	A1102-000005	Left Foaming	1	
33	A1102-000009	Right Foaming	1	