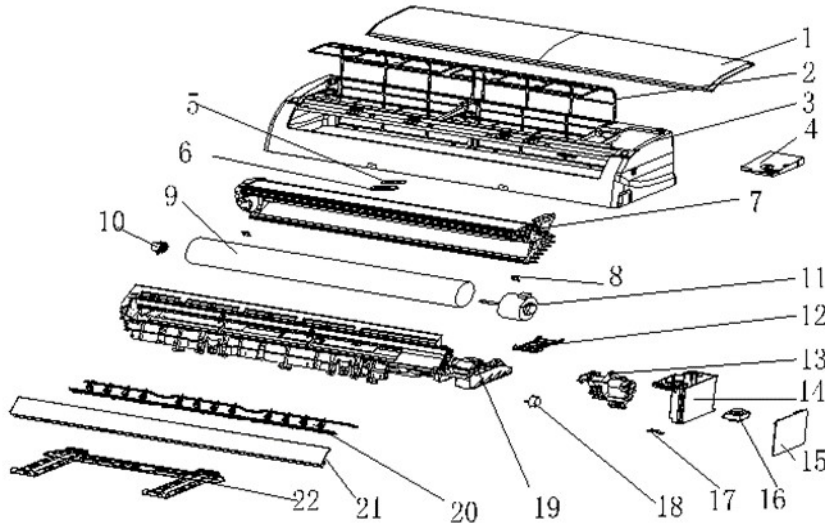


## Exploded View METH2423E-16



| No. | Part No.     | Part Name              | Qty | Remark                      |
|-----|--------------|------------------------|-----|-----------------------------|
| 1   | 41106-002088 | Front Panel            | 1   |                             |
| 2   | 42008-000001 | Air Filter             | 2   |                             |
| 3   | 41106-002351 | Face Frame             | 1   |                             |
| 4   | 41105-000146 | Electrical Box Cover   | 1   |                             |
| 5   | 31102-000085 | Display PCB            | 1   |                             |
| 6   | 42003-000001 | Display PCB Box        | 1   |                             |
| 7   | 92011-002754 | Evaporator             | 1   |                             |
| 8   | 41108-000066 | Screw Cover            | 2   |                             |
| 9   | 42004-000002 | Cross Fan              | 1   |                             |
| 10  | 42007-000001 | Bearing Mount          | 1   |                             |
| 11  | 22001-000270 | Indoor Motor           | 1   |                             |
| 12  | 41101-000224 | In And Out Pipe Fixer  | 1   |                             |
| 13  | 42003-000045 | Indoor Motor Cover     | 1   |                             |
| 14  | 41105-000104 | Electrical Box         | 1   |                             |
| 15  | 31101-000147 | Main PCB               | 1   |                             |
| 16  | 10502-100021 | Transformer            | 1   |                             |
| 17  | 42001-000103 | Cable Clamp            | 1   |                             |
| 18  | 22001-000321 | Vane Motor 1           | 1   |                             |
| 19  | 41102-000002 | Base                   | 1   |                             |
| 20  | 41101-000042 | Vertical Vane Assembly | 3   |                             |
| 21  | 41103-000142 | Vane                   | 1   |                             |
| 22  | 41109-000019 | Installation Plate     | 1   |                             |
| 23  | 10104-100014 | Indoor Sensor Assembly | 1   | Not shown in Explosion view |
| 24  | 22013-000237 | Remote Controller      | 1   |                             |
| 25  | 42009-000011 | Drainage Hose          | 1   |                             |
| 26  | A1101-002076 | Indoor Carton          | 1   |                             |



## Exploded View METH2423E-16

| No. | Part No.     | Part Name      | Qty | Remark                      |
|-----|--------------|----------------|-----|-----------------------------|
| 27  | A2006-000060 | Left Foaming   | 1   | Not shown in Explosion view |
| 28  | A2006-000059 | Right Foaming  | 1   |                             |
| 29  | 42005-000069 | Middle support | 1   |                             |