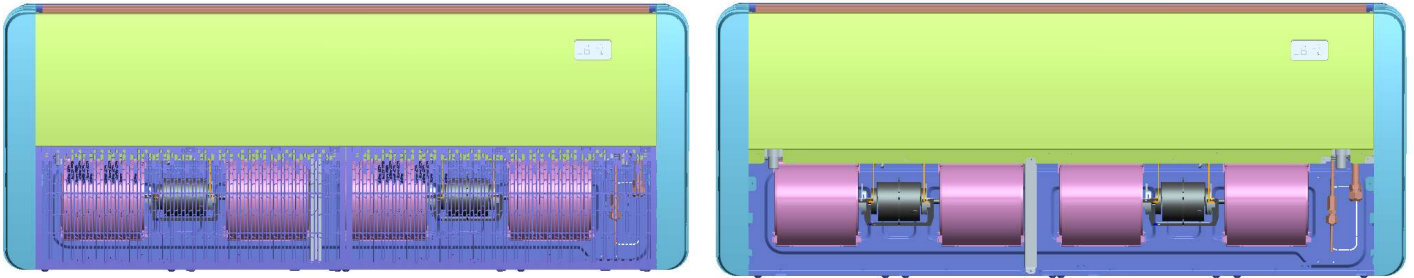


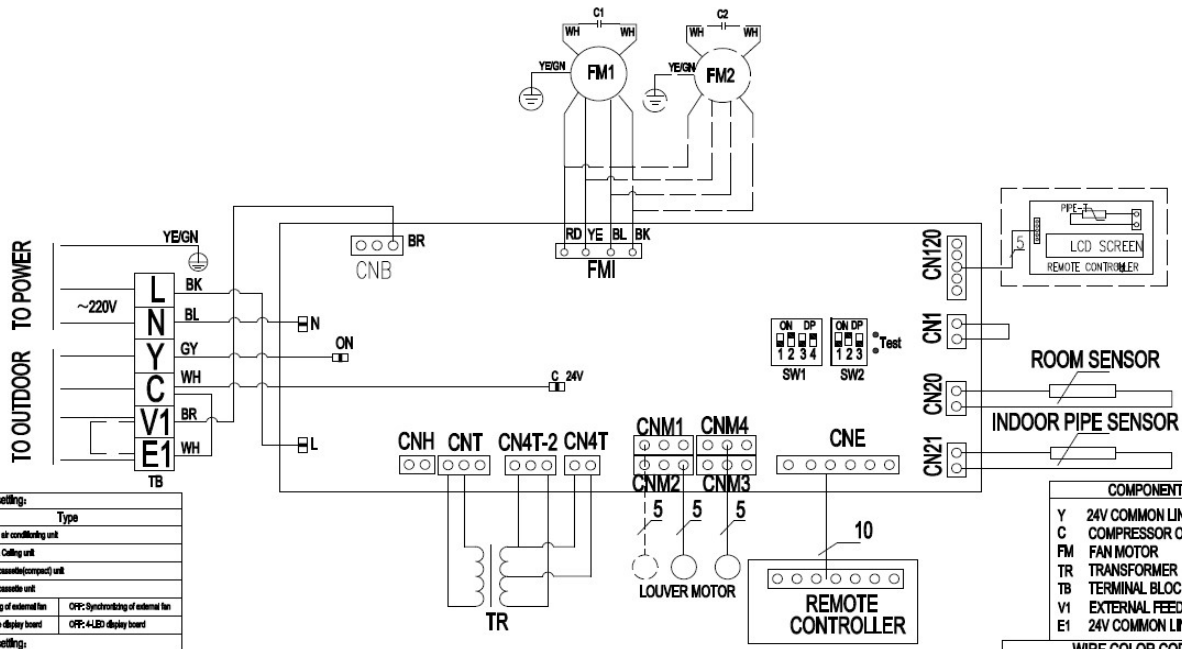


Exploded View FCAC-48



802019900057 V.0

CIRCUIT DIAGRAM

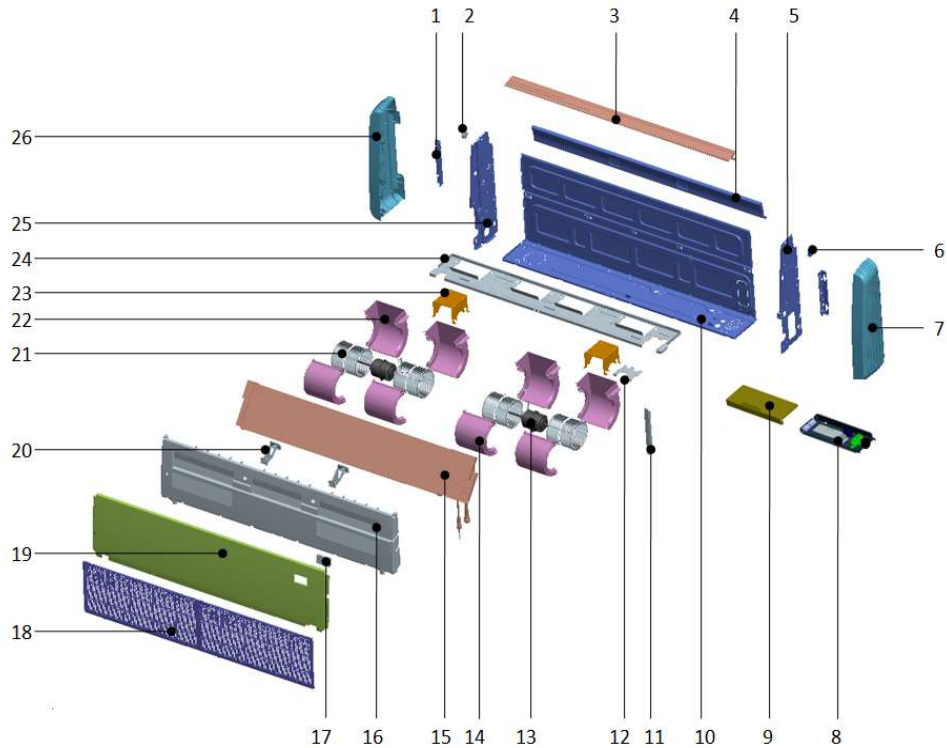


SW1 DIP switch setting:		
1#	2#	Type
OFF	OFF	Ducted air conditioning unit
OFF	ON	Floor & Ceiling unit
ON	OFF	4-way cassette(compact) unit
ON	ON	4-way cassette unit
3#	ON	ON: Discharging of external fan
	OFF	OFF: Synchronizing of external fan
4#	ON	ON: Digital tube display board
	OFF	OFF: 4-LED display board
SW2 DIP switch setting:		
1#	ON	ON: Cooling & Heating type
	OFF	OFF: Cooling only type
2#	ON	ON: With Non-volatile Memory
	OFF	OFF: Without Non-volatile Memory
3#	ON	ON: Room temp. sensor T1 for IRMS controller
	OFF	OFF: Room temp. sensor T1 for Electric control panel

COMPONENT CODE		
Y	24V COMMON LINE	
C	COMPRESSOR OUTPUT 24V	
FM	FAN MOTOR	
TR	TRANSFORMER	
TB	TERMINAL BLOCK	
V1	EXTERNAL FEEDBACK SIGNAL	
E1	24V COMMON LINE	
WIRE COLOR CODE		
RD	OR	WH
BK	GY	YE
BL	GN	BR
	OR	WH
	GY	YE
	GN	BR

The voltage between L phase and N phase should be 220V
 - - - - - Expressed the actual installment may choose the part

Exploded View FCAC-48



No.	Part No.	Part Name	Qty	Remark
1	801225590159	Right mounting plate of evaporator	1	
2	802425400001	Horizontal step motor	1	
3	801125590059	horizontal louvre assembly	1	
4	801225590154	Rear cover with cotton	1	
5	801225590157	Right side panel assembly	1	
6	802425400003	Horizontal step motor	1	
7	801125590057	Right cover	1	
8	803325190010	Indoor PCB assembly	1	
8.1	801223790040	E-part box	1	
8.2	803300300865	Indoor PCB	1	
8.3	802425590010	Terminal	1	
8.4	802401100039	Insert fan capacitor	2	
9	801225590014	Electric box cover	1	
10	801225590151	Chassis assembly	1	
11	801225590169	Support bar	1	
12	801225590168	Piping plate	1	
13	802400400304	Indoor fan motor	2	
14	801125590045	Upper volute	4	
15	801525590070	Evaporator components	1	
15.1	801525590072	Evaporator assembly	1	



Exploded View FCAC-48

No.	Part No.	Part Name	Qty	Remark
15.2	801625590076	Evaporator return air header assembly	1	
15.3	801625590081	Evaporator split capillary assembly	1	
16	802225590014	Water tray component	1	
17	803324390050	Display panel assembly	1	
17.2	802025590129	Display mask	1	
17.3	801125590063	Display panel mounting box	1	
18	801125590069	Air return assembly	2	
18.1	801125590070	Air return	2	
18.2	801125590055	Dust filter	2	
18.3	801125590067	Grille buckle	6	
18.4	801125590068	Grill screw cover	6	
19	801225590166	Roof cover	1	
20	801125590066	Air guide bracket	2	
21	801125590036	Centrifugal wind wheel	4	
22	801125590046	Lower volute	4	
23	801225590010	Motor bracket	2	
24	801225590161	Intermediate beam welding assembly	1	
25	801225590155	Left side panel assembly	1	
26	801125590056	Left cover	1	