



**INSTALLATION and OWNER'S MANUAL
FOR
AIR-HANDLER**

SA-U02ENG

■ MODEL

AHZ-60
AHZ-48
AHZ-36
AHZ-24
AHZ-18

INSTALLATION and OWNER'S MANUAL

INDOOR SPLIT-SYSTEM UNIT
MODELS: 10 SEER-MVA SERIES
1.5 TO 5 TONS

CONTENTS

| | |
|---|----|
| SAFETY..... | 2 |
| SAFETY REQUIREMENTS..... | 2 |
| GENERAL INFORMATION..... | 2 |
| INSPECTION..... | 2 |
| CLEARANCES..... | 2 |
| LOCATION..... | 2 |
| ACCESSORIES..... | 3 |
| OPERATING TEMPERATURE..... | 3 |
| DUCT CONNECTIONS..... | 4 |
| DRAIN CONNECTIONS..... | 4 |
| ORIFICE INSTALLATION..... | 5 |
| REFRIGERANT LINE CONNECTION..... | 5 |
| CLEANING THE AIR FILTER..... | 6 |
| COIL ASSEMBLY..... | 6 |
| MAINTENANCE..... | 6 |
| WIRE..... | 6 |
| LED DISPLAY..... | 7 |
| TEMPERATURE SENSOR..... | 7 |
| OPERATIONAL FAULT CODES..... | 7 |
| COOLING ONLY ELECTRIC WIRING GAUGE..... | 7 |
| COOLING&HEATING ELECTRIC WIRING GAUGE..... | 9 |
| DC INVERTER UNIT ELECTRIC WIRING GAUGE..... | 10 |

SAFETY

! This is a safety alert symbol. When you see this symbol on labels or in manuals, be alert to the potential for personal injury. Understand and pay particular attention to the signal words **DANGER**, **WARNING**, or **CAUTION**.

DANGER indicates an imminently hazardous situation, which, if not avoided, **will result in death or serious injury**.

WARNING indicates a potentially hazardous situation, which, if not avoided, **could result in death or serious injury**.

CAUTION indicates a potentially hazardous situation, which, if not avoided, **may result in minor or moderate injury**. It is also used to alert against unsafe practices and hazards involving only property damage.

! WARNING

Improper installation may create a condition where the operation of the product could cause personal injury or property damage. Improper installation, adjustment, alteration, service or maintenance can cause injury or property damage. Refer to this manual for assistance or for additional information, consult a qualified contractor, installer or service agency.

! CAUTION

This product must be installed in strict compliance with the enclosed installation and any applicable local, state, and national codes including, but not limited to building, electrical, and mechanical codes.

! DANGER

Failure to follow the safety warnings exactly could result in serious injury, death or property damage. A fire or electrical hazard may result causing property damage. Personal injury or loss of life.

This appliance can be used by children aged from 8 years and above and persons with reduced physical, sensory or mental capabilities or lack of experience and knowledge if they have been given supervision or instruction concerning use of the appliance in a safe way and understand the hazards involved. Children shall not play with the appliance. Cleaning and user maintenance shall not be made by children without supervision.

This appliance is not intended for use by persons (including children) with reduced physical, sensory or mental capabilities, or lack of experience and knowledge, unless they have been given supervision or instruction concerning use of the appliance by a person responsible for their safety.

Children should be supervised to ensure that they do not play with the appliance.

If the supply cord is damaged, it must be replaced by the manufacturer, its service agent or similarly qualified persons in order to avoid a hazard.

The appliance shall be installed in accordance with national wiring regulations.

Do not operate your air conditioner in a wet room such as a bathroom or laundry room.

An all-pole disconnection device which has at least 3mm Clearances in all poles, and have a leakage current that may exceed 10mA, the residual current device (RCD) having a rated residual operating current not exceeding 30 mA, and disconnection must be incorporated in the fixed wiring in accordance with the wiring rules.

1. Install this air handler only in a location and position as specified in this instruction.
2. Always Install the air handler to operate within the air handler's intended temperature rise range, Only connect the air handler to a duct system which has an external static pressure within the allowable range, as specified on the air handler rating plate.

3. When an air handler is installed so that supply ducts carry air circulated by the air handler to areas outside the space containing the air handler, the return air shall also be handled by duct(s) Sealed to the air handler casing and terminating outside the space containing the air handler.

4. The size of the unit should be based on an acceptable heat loss calculation for the structure. ACCA, Manual J or other approved methods may be used.

SAFETY REQUIREMENTS

1. This air handler should be installed in accordance with all national and local building/safety codes and requirements, local plumbing or waste water codes, and other applicable codes.
2. Refer to the unit rating plate for the air handler model number, and then see the dimensions page of this instruction for supply air plenum dimensions in Figure 2. The plenum must be installed according to the instructions.
3. Provide clearances from combustible materials as listed under Clearances to Combustibles.
4. Provide clearances for servicing ensuring that service access is allowed for both the burners and blower.
5. This air handler is not approved for installation in trailers or recreational vehicles.
6. Failure to carefully read and follow all instructions in this manual can result in air handler malfunction, death, personal injury and/or property damage.
7. Check the rating plate and power supply to be sure that the electrical characteristics match.
8. Air handler shall be installed so the electrical components are protected from water.
9. These instructions cover minimum requirements and conform to existing national standards and safety codes. In some instances these instructions exceed certain local codes and ordinances, especially those who have not kept up with changing residential and non-HUD modular home construction practices. These instructions are required as a minimum for a safe installation.

GENERAL INFORMATION

This Modular Air Handler provides the flexibility for installation in any Up-flow or horizontal application, See Figures 1. The direct drive motors provide a selection of air volume to match any application. The unit can be positioned for bottom return air in the upflow position, left return in the horizontal position.

Top and side power wiring and control Wiring, accessible screw terminals for control wiring all combine to make the installation easy, and minimize installation cost.

INSPECTION

As soon as a unit is received, it should be inspected for possible damage during transit. Also, before installation the unit should be checked for screws or bolts, which may have loosened in transit. There are no shipping or spacer brackets which need to be removed. Also check to be sure all accessories and coils are available, installation of these accessories or field conversion of the unit should be accomplished before setting the unit in place or connecting any wiring, electrical, ducts or piping.

CLEARANCES

1. Refrigerant piping and connections - minimum 12" recommended.
2. Maintenance and servicing access - minimum 36" from front of unit recommended for blower motor/coil replacement.
3. Condensate drain line.
4. Filter removal - minimum 36" recommended.

LOCATION

Location is usually predetermined. Check with owner's or dealer's installation plans, if location has not been decided, consider the following in choosing a suitable location.

1. Select a location with adequate structural support, space for service

- access, clearance or air return and supply duct connections.
- Use hanging brackets to waft mount unit as shown below.
 - Normal operating sound levels may be objectionable if the air handler is placed directly over some rooms such as bedrooms, study, etc.
 - Precautions should be taken to locate the unit and duct work so that supply air does not short circuit to the return air.
 - Select a location that will permit installation of condensate line to an open drain.

NOTE: When the coil is installed in a draw-thru application, it is recommended to trap the primary and secondary drain line. If the secondary drain line is not used, it must be capped.



The coil is provided with a secondary drain, it should be piped to a location that will give the occupant a visual warning that the primary drain is clogged. If the secondary drain is not used it must be capped.

- When an evaporator coil is installed in an attic or above a finished ceiling, an auxiliary drain pan should be provided under the coil as is specified by most local building codes.
- Proper electrical supply must be available.
- Clearances must also be taken into consideration, and provided for as follows:

- Refrigerant piping and connections are located in the front.
- Maintenance and servicing through the front or access side of unit with both sides and rear of unit having zero inch clearance.
- Condensate drain lines are connected in the front (clear of filter).
- Filter removal.
- When no electric heat is used, the unit as well as all duct work and plenum are designed for zero clearance to combustible materials.

ACCESSORIES

Please check whether the following fittings are of full scope. If there are some spare fittings, please restore them carefully.

| NO. | Part Name | Quantity | Illustrations |
|-----|-------------|----------|---|
| 1 | Seal ring | 2 |  |
| 2 | Drain joint | 1 |  |

OPERATING TEMPERATURE

| Mode | Cooling operation | Heating operation | Drying operation |
|---------------------|--|---------------------------|---|
| Room temperature | 17°C ~ 32°C (62°F ~ 90°F) | 0°C ~ 30°C (32°F ~ 86°F) | 17°C ~ 32°C (62°F ~ 90°F) |
| Outdoor temperature | 18°C ~ 43°C (64°F ~ 109°F) | -7°C ~ 24°C (20°F ~ 76°F) | 18°C ~ 43°C (64°F ~ 109°F) |
| | -7°C ~ 43°C (20°F ~ 109°F) : For the models with low temperature cooling system | | 18°C ~ 52°C (64°F ~ 126°F) : For special tropical models |
| | 18°C ~ 52°C (64°F ~ 126°F) : For special tropical models | | |

CAUTION :

- If air conditioner is used outside of the above conditions, Certain safety protection features may come into operation and cause the unit to function abnormally.
- Room relative humidity less than 80%. If the air conditioner operates in excess of this figure, the surface of the air conditioner may attract condensation. Please sets the vertical air flow louver to its maximum angle (vertically to the floor), and set HIGH fan mode.
- Optimum performance will be achieved within these operating temperature.

FIGURE1 : Typical Applications with MVA Multi-Position Coils

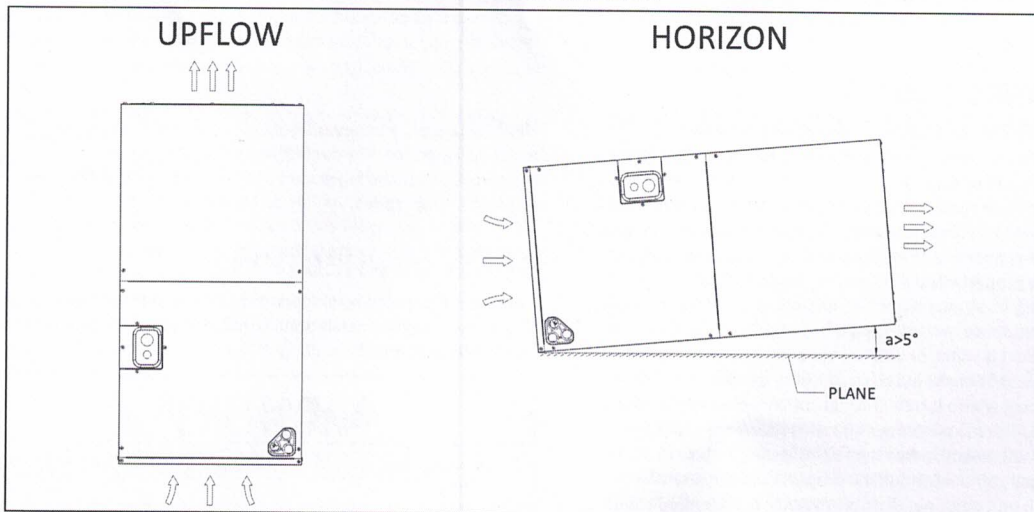


FIGURE 2: Plenum Clearances

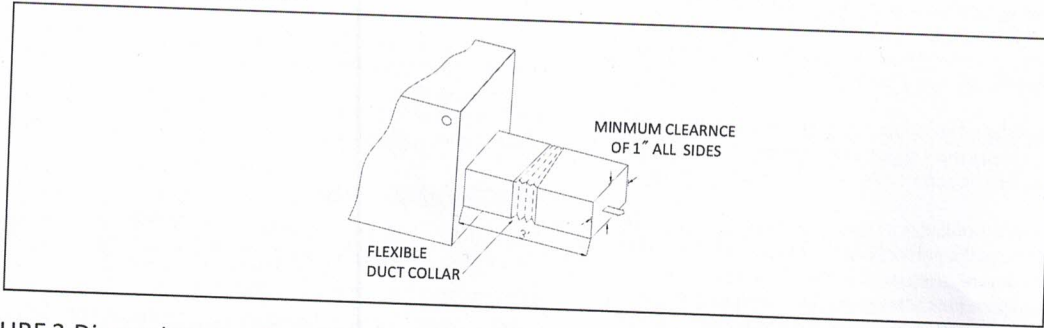


FIGURE 3: Dimensions and Duct Sizes

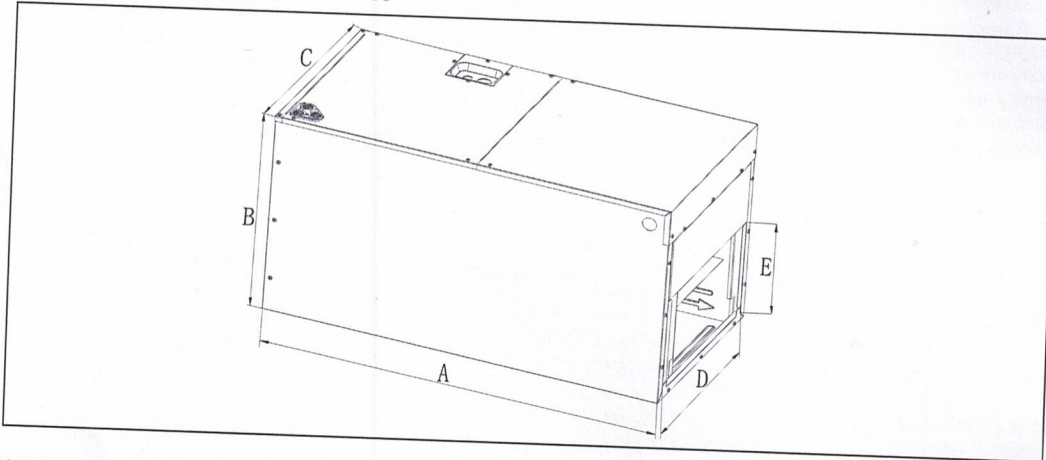


TABLE 1: Dimensions

| MODEL | Dimensions(mm) | | | | |
|-------|----------------|----------|----------|-----|-----|
| | A(Height) | B(Depth) | C(Width) | D | E |
| 18 | 774 | 520 | 460 | 414 | 245 |
| 24 | 774 | 520 | 460 | 414 | 245 |
| 36 | 774 | 520 | 460 | 414 | 245 |
| 48 | 970 (1160) | 550 | 500 | 454 | 266 |
| 60 | 970 (1160) | 550 | 500 | 454 | 266 |

Note: (1160) is custom model's height.

DUCT CONNECTIONS

Air supply and return may be handled in one of several ways best suited to the installation (See Figure 3 and table 1 for dimensions for duct inlet and outlet connections).

The vast majority of problems encountered with combination cooling systems can be linked to improperly designed or installed duct systems, it is therefore highly important to the success of an installation that the duct system be properly designed and installed.

Use flexible duct collars to minimize the transmission of vibration/noise into the conditioned space.

Where return air duct is short, or where sound is liable to be a problem, sound absorbing glass fiber should be used inside the duct. Insulation of duct work is a must where it runs through an uncooled space during the cooling season. The use of a vapor barrier is recommended to prevent absorption of moisture from the surrounding air into the insulation. The supply air duct should be properly sized by use of a transition to match unit opening. All ducts should be suspended using

Flexible hangers and never fastened directly to the structure. This unit is not designed for non-ducted (freeblow) applications.

Duct work should be fabricated and installed in accordance with local and/or national codes.

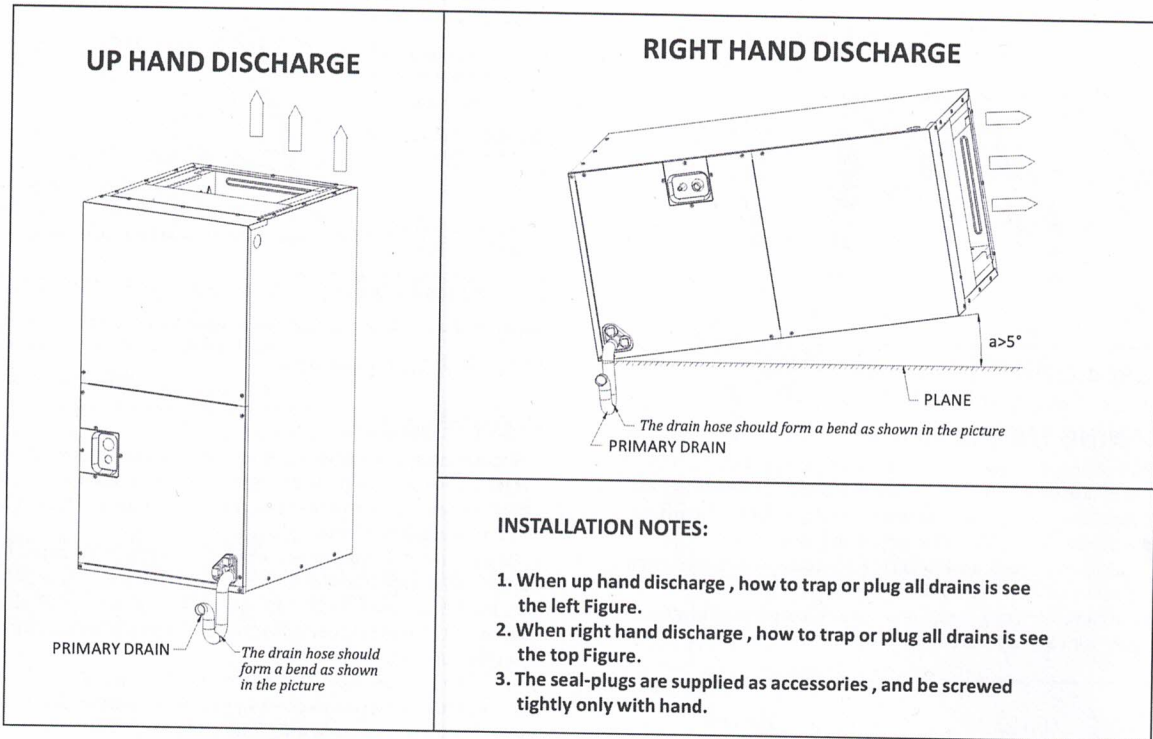
DRAIN CONNECTIONS

All drain lines should be trapped a minimum of three inches, should be pitched away from unit drain Pan and should be no smaller than the coil drain connection.

⚠ CAUTION

Drain connection should be hand-tightened, plus no more than 1/16 turn.

FIGURE 4: Drain connection



⚠ CAUTION

Horizontal drain cutout in the center access panel should be removed by using a utility knife. DO NOT TRY TO KNOCK OUT.

Route the drain line so that it does not interfere with accessibility to the coil, air handling system or filter and will not be exposed to freezing temperatures. See Figures 1, 2 and 3.

NOTE: When the coil is installed in an attic or above a finished ceiling, an auxiliary drain pan should be provided under the coil as is specified by most local building codes.

Coils Should be installed level or pitched slightly toward the drain end. Suggested pitch should not exceed 1/4 inch per foot of coil. The coil is provided with a secondary drain that should be trapped and piped to a location that will give the occupant a visual warning that the primary drain is clogged. If the secondary drain is not used it must be capped. The drain pan connections are designed to ASTM Standard D 2466 Schedule 40, Use 3/4" PVC or steel threaded pipe. Since the drains are not subject to any pressure it is not necessary to use Schedule 40 pipe for drain lines.

It is recommended that all drain connections be sealed with teflon tape or equivalent.

ORIFICE INSTALLATION

A standard orifice is preinstalled in the unit and is marked on the unit data plate. Refer to the outdoor unit instruction and application data to determine the proper orifice required for your particular system combination and piping conditions.

If the orifice sizes match, nothing further is required and the refrigerant lines may be connected per the outdoor unit instruction. However, if another orifice should be used, change the orifice in the coil with the following procedure:

⚠ CAUTION

This fitting is a right-hand thread, turn counter-clockwise to remove.

1. Remove the liquid line fitting using 3/4" wrenches, and remove the preinstalled orifice with a small diameter wire or paper clip.
2. Remove the new orifice from the packet and verify that it is the correct number required. Install this orifice with the rounded end toward the coil and the flat end outward.
3. Thread the liquid line fitting back in place on the coil. Tighten the fitting hand tight and turn an additional 1/8 turn to seal.

⚠ CAUTION

Use wrenches to turn fittings. Using pliers will cause internal damage to the fitting.

- NOTE: This procedure should be done within 2 minutes to keep air and contaminants from entering the coil. If the orifice cannot be replaced and the coil resealed within 2 minutes, then it should be temporarily closed to air using masking tape (short term delay) or plugging/capping (long term delay). There is no need to purge the coil if this procedure is done within the time limit.
4. Mark the data plate with the orifice installed.

REFRIGERANT LINE CONNECTION

See the outdoor unit installation instructions for the procedure to install field supplied tubing for systems with sweat fittings.

Connect lines as follows:

NOTE: Route the refrigerant lines to the coil in a manner that will not obstruct service access to the coil, air handling system or filter.

1. Removing the bottom cover, push up the front cover of pipe.
2. Braze the suction line and the liquid line. See figure 5.
3. Attach the front cover of pipe to bottom cover, reattach the bottom cover.
4. Install supplied grommets on both the suction and liquid lines to complete the air seat.

Line should be sound isolated by using appropriate hangers or strapping. When field supplied lines are used be sure to insulate the liquid line under any conditions where the ambient temperature is greater than the liquid line temperature.

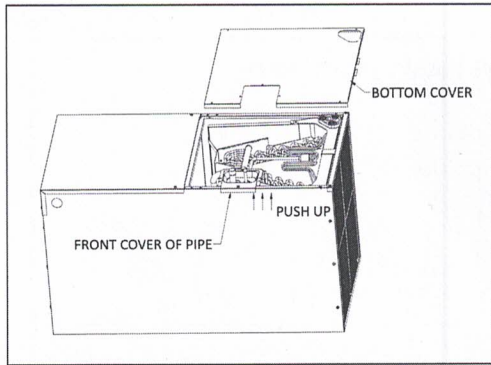


FIGURE 4: Connect the Refrigerant line

CLEANING THE AIR FILTER

1. The air filter can prevent the dust or other particulate from going inside. In case of blockage of the filter, the working efficiency of the air conditioner may greatly decrease. Therefore, the filter must be cleaned once two weeks during long time usage.
2. If the air conditioner is positioned in a dust place, the cleaning frequency of the air filter must be increased.
3. If the accumulated dust is too heavy to be cleaned, please replace the filter with a new one (replaceable air filter is an optional fitting).

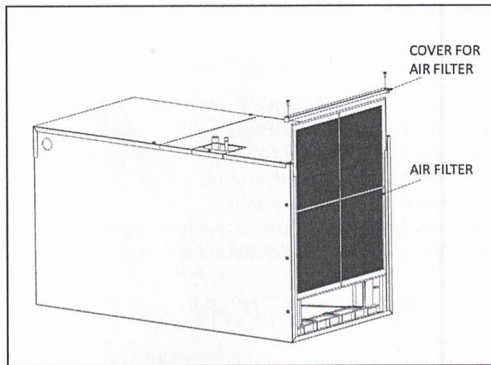


FIGURE 5: Remove The Air Filter

1. Tear down the two bolts signed A and B, take down the cover for air filter, see in Figure 6.
2. Hold the edge of the air filter and extract out.
3. Clean the air filter (Vacuum cleaner or pure water may be used to clean the air filter. If the dust accumulation is too heavy, please use soft brush and mild detergent to clean it and dry out in cool place).

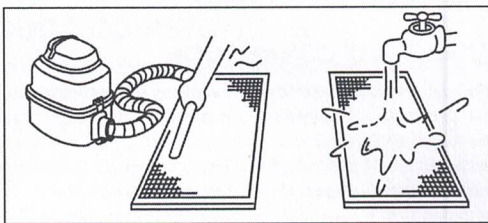


FIGURE 6: Clean The Air Filter

4. Install the air filter in the reverse order of step 1 and 2.

CAUTION

Do not dry out the air filter under direct sunshine or with fire.

COIL ASSEMBLY

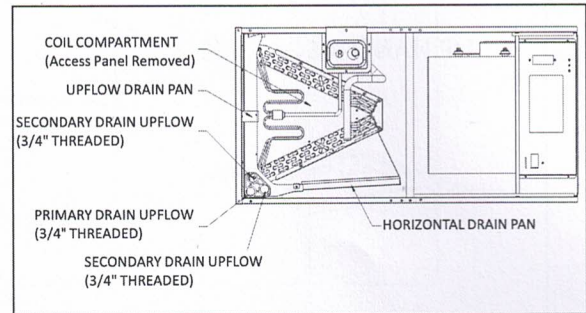


FIGURE 7: Coil Assembly

MAINTENANCE

1. Filters must be cleaned or replaced when they become dirty. Inspect at least once per month. The frequency of cleaning depends upon the hours of operation and the local atmospheric conditions. Clean filters keep unit efficiency high.
2. If the coil needs to be cleaned or replaced, it should be washed with Calgon coilclean (mix one part coilclean to seven parts water). Allow solution to remain on coil for 30 minutes before rinsing with clean water. Solution should not be permitted to come in contact with painted surfaces.
3. The bearings of the blower motor are permanently lubricated.
4. During the cooling season check the condensate drain lines to be sure that condensate is flowing from the primary drain but not from the secondary drain, if condensate ever flows from the secondary drain the unit should be promptly shut off and the condensate pan and drains cleaned to insure a free flowing primary drain.

Wire

1. To avoid the electric shock, please link the air conditioner with the ground. The plug in the air conditioner has joined the ground wiring, please don't change it freely.
2. The power socket is used as the air conditioner specially.
3. Don't pull the power wiring hard.
4. When linking the air conditioner with the ground; observe the local rules.
5. If necessary, use the power fuse or the circuit, breaker or the corresponding scale ampere.

When installing or repair the air condition, relate to system wiring, please operating as follows:

1. Tear down the seven bolts in the top cover, see in Figure 8.
2. Hold the edge of the top condenser and extract out.
3. Install the top condenser in the reverse order of step 1 and 2.

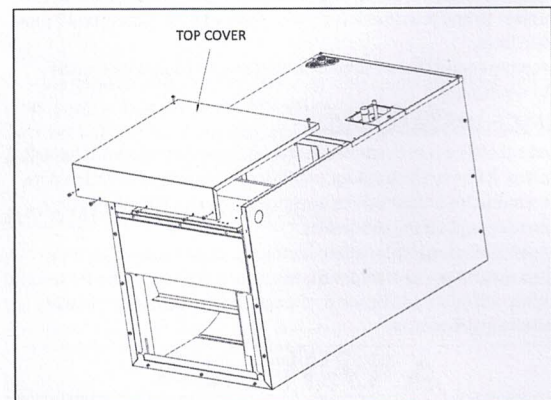


FIGURE 8: Remove The Top Cover

COOLING ONLY

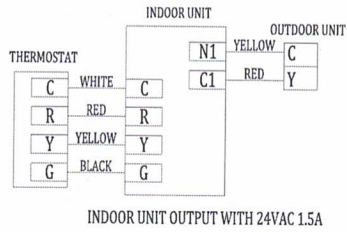


FIGURE 9: Cooling only System Wiring Diagram

Suggestion: thermostat choose Non-programmed electrical thermostat series of Honeywell, such as Th5220D

LED DISPLAY

The control would display any fault code that is currently active using the LED. The control will display the fault code, when the LEDs are flashing quickly, there is something wrong with the system. Refer to below table for detail fault code.

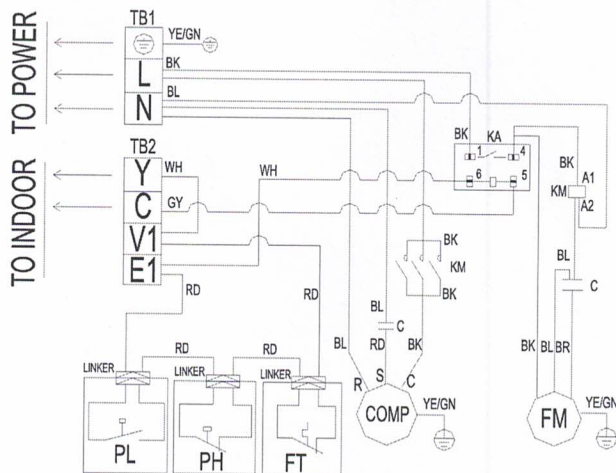
TEMPERATURE SENSOR

The unit have one temperature sensors, which is called pipe temp sensor, When the temperature sensor was damaged, the system would closed and the LED would flashing.

| NUMBER | CODE | LED1 | LED2 | LED3 |
|--------|-------------------------------------|------|------|------|
| 1 | EVAPORATOR SENSOR ERROR | ☼ | ★ | ★ |
| 2 | Evaporator Anti-freezing protection | ☼ | ☼ | ★ |

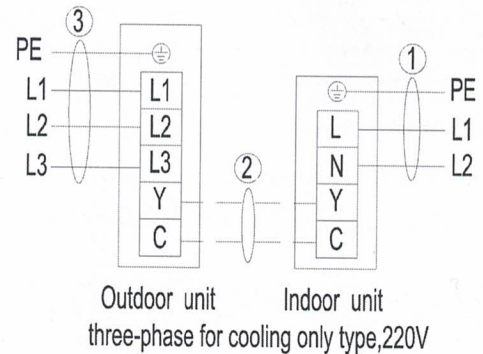
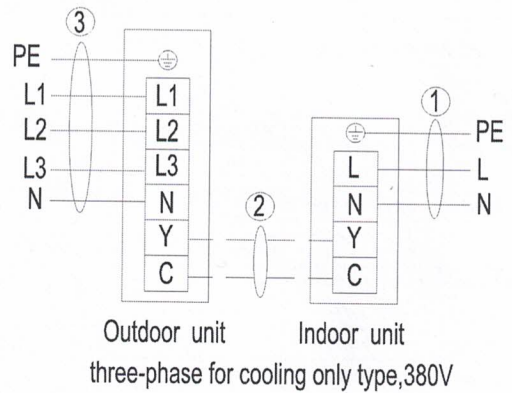
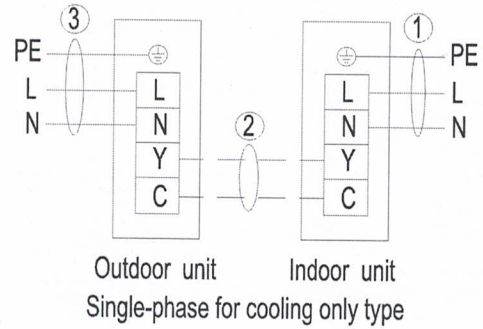
NOTE: ☼ MEANS LED ON, ★ MEANS LED FLASHES AT 1.0 Hz

POWER WIRING DIAGRAM



Suggestion: The wire diagram is as FIGURE 10 when the outdoor unit is getting feedback from terminals E1, V1.

Attention: Please use the wire in the part bag.



Note: For reference only, the actual wiring diagram shall prevail

COOLING ONLY ELECTRIC WIRING GAUGE

| Capacity(Btu/h) | | 24000 Btu/h | 36000 Btu/h | 48000 Btu/h | 60000 Btu/h | |
|--------------------|----------------------------|--------------------|-----------------------------------|-----------------------|-----------------------|-----------------------|
| Power | Indoor | Phase | Single | | | |
| | | Frequency/Voltage | 220-230V,60Hz1PH,220-240,50Hz 1PH | | | |
| | Outdoor | Phase | Single | | | |
| | | Frequency/Voltage | 220-230V,60Hz1PH,220-240,50Hz 1PH | | | |
| Input Current Fuse | Indoor unit(A) | 5A | 5A | 5A | 5A | |
| Lines Gauge | Indoor Unit Power Line | Line Quantity | 3 | 3 | 3 | 3 |
| | | Line Diameter(AWG) | 18/1.0mm ² | 18/1.0mm ² | 18/1.0mm ² | 18/1.0mm ² |
| | Outdoor Unit Power Line | Line Quantity | 3 | 3 | 3 | 3 |
| | | Line Diameter(AWG) | 14/2.5mm ² | 12/4.0mm ² | 10/6.0mm ² | 10/6.0mm ² |
| | Outdoor-Indoor Signal Line | Line Quantity | 2 | 2 | 2 | 2 |
| | | Line Diameter(AWG) | 18/1.0mm ² | 18/1.0mm ² | 18/1.0mm ² | 18/1.0mm ² |
| | Thermostat Signal Line | Line Quantity | 4 | 4 | 4 | 4 |
| | | Line Diameter(AWG) | 18/1.0mm ² | 18/1.0mm ² | 18/1.0mm ² | 18/1.0mm ² |

TABLE2:Wiring Gauge

| Capacity(Btu/h) | | 24000 Btu/h | 36000 Btu/h | 48000 Btu/h | 60000 Btu/h | |
|--------------------|----------------------------|--------------------|-----------------------|-----------------------|-----------------------|-----------------------|
| Power | Indoor | Phase | Single | | | |
| | | Frequency/Voltage | 220-240V,50/60Hz 1PH | | | |
| | Outdoor | Phase | Three | | | |
| | | Frequency/Voltage | 380-420V, 50/60Hz 3PH | | | |
| Input Current Fuse | Indoor unit(A) | — | 5A | 5A | 5A | |
| Lines Gauge | Indoor Unit Power Line | Line Quantity | — | 3 | 3 | 3 |
| | | Line Diameter(AWG) | — | 18/1.0mm ² | 18/1.0mm ² | 18/1.0mm ² |
| | Outdoor Unit Power Line | Line Quantity | — | 5 | 5 | 5 |
| | | Line Diameter(AWG) | — | 14/2.5mm ² | 14/2.5mm ² | 14/2.5mm ² |
| | Outdoor-Indoor Signal Line | Line Quantity | — | 2 | 2 | 2 |
| | | Line Diameter(AWG) | — | 18/1.0mm ² | 18/1.0mm ² | 18/1.0mm ² |
| | Thermostat Signal Line | Line Quantity | — | 4 | 4 | 4 |
| | | Line Diameter(AWG) | — | 18/1.0mm ² | 18/1.0mm ² | 18/1.0mm ² |

TABLE3:Wiring Gauge

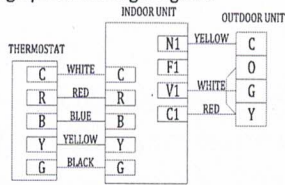
| Capacity(Btu/h) | | 24000 Btu/h | 36000 Btu/h | 48000 Btu/h | 60000 Btu/h | |
|--------------------|----------------------------|--------------------|-----------------------|-----------------------|-----------------------|-----------------------|
| Power | Indoor | Phase | Single | | | |
| | | Frequency/Voltage | 220-240V,50/60Hz 1PH | | | |
| | Outdoor | Phase | Three | | | |
| | | Frequency/Voltage | 380-420V, 50/60Hz 3PH | | | |
| Input Current Fuse | Indoor unit(A) | — | 5A | 5A | 5A | |
| Lines Gauge | Indoor Unit Power Line | Line Quantity | — | 3 | 3 | 3 |
| | | Line Diameter(AWG) | — | 18/1.0mm ² | 18/1.0mm ² | 18/1.0mm ² |
| | Outdoor Unit Power Line | Line Quantity | — | 5 | 5 | 5 |
| | | Line Diameter(AWG) | — | 12/4.0mm ² | 12/4.0mm ² | 10/6.0mm ² |
| | Outdoor-Indoor Signal Line | Line Quantity | — | 2 | 2 | 2 |
| | | Line Diameter(AWG) | — | 18/1.0mm ² | 18/1.0mm ² | 18/1.0mm ² |
| | Thermostat Signal Line | Line Quantity | — | 4 | 4 | 4 |
| | | Line Diameter(AWG) | — | 18/1.0mm ² | 18/1.0mm ² | 18/1.0mm ² |

TABLE4:Wiring Gauge

Note: For reference only, the actual wiring diagram shall prevail

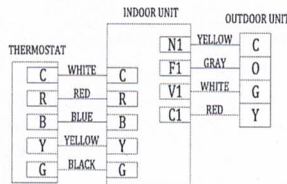
COOLING&HEATING

Cooling&Heating System Wiring Diagram



INDOOR UNIT OUTPUT WITH 24VAC 1.5A

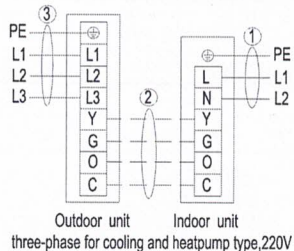
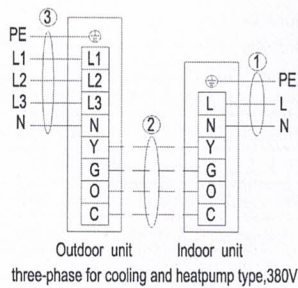
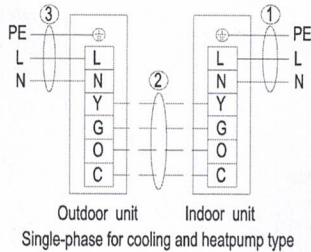
Suggestion: thermostat choose Non-programmed electrical thermostat series of Honeywell, such as TH5220D



INDOOR UNIT OUTPUT WITH 24VAC 1.5A

POWER WIRING DIAGRAM

There are many kinds of power wiring diagram for different user powers and models, take double-temperature units for examples:



Note: For reference only, the actual wiring diagram shall prevail

COOLING&HEATING ELECTRIC WIRING GAUGE:

| | | Capacity(Btu/h) | | | | |
|------------------------|----------------------------|-----------------------|-----------------------------------|-----------------------|-----------------------|-----------------------|
| | | 24000 Btu/h | 36000 Btu/h | 48000 Btu/h | 60000 Btu/h | |
| Power | Indoor | Phase | Single | | | |
| | | Frequency/Voltage | 220-230V,60Hz1PH/220-240,50Hz 1PH | | | |
| | Outdoor | Phase | Single | | | |
| | | Frequency/Voltage | 220-230V,60Hz1PH/220-240,50Hz 1PH | | | |
| Input Current Fuse | Indoor unit(A) | 5A | 5A | 5A | 5A | |
| Lines Gauge | Indoor Unit Power Line | Line Quantity | 3 | 3 | 3 | 3 |
| | | Line Diameter(AWG) | 18/1.0mm ² | 18/1.0mm ² | 18/1.0mm ² | 18/1.0mm ² |
| | Outdoor Unit Power Line | Line Quantity | 3 | 3 | 3 | 3 |
| | | Line Diameter(AWG) | 14/2.5mm ² | 12/4.0mm ² | 10/6.0mm ² | 10/6.0mm ² |
| | Outdoor-Indoor Signal Line | Line Quantity | 3 | 3 | 3 | 3 |
| | | Line Diameter(AWG) | 18/1.0mm ² | 18/1.0mm ² | 18/1.0mm ² | 18/1.0mm ² |
| Thermostat Signal Line | Line Quantity | 5 | 5 | 5 | 5 | |
| | Line Diameter(AWG) | 18/1.0mm ² | 18/1.0mm ² | 18/1.0mm ² | 18/1.0mm ² | |

TABLE5:Wiring Gauge

| | | Capacity(Btu/h) | | | | |
|------------------------|----------------------------|--------------------|-----------------------|-----------------------|-----------------------|-----------------------|
| | | 24000 Btu/h | 36000 Btu/h | 48000 Btu/h | 60000 Btu/h | |
| Power | Indoor | Phase | Single | | | |
| | | Frequency/Voltage | 220-240V,50/60Hz 1PH | | | |
| | Outdoor | Phase | Three | | | |
| | | Frequency/Voltage | 380-420V, 50/60Hz 3PH | | | |
| Input Current Fuse | Indoor unit(A) | — | 5A | 5A | 5A | |
| Lines Gauge | Indoor Unit Power Line | Line Quantity | — | 3 | 3 | 3 |
| | | Line Diameter(AWG) | — | 18/1.0mm ² | 18/1.0mm ² | 18/1.0mm ² |
| | Outdoor Unit Power Line | Line Quantity | — | 5 | 5 | 5 |
| | | Line Diameter(AWG) | — | 14/2.5mm ² | 14/2.5mm ² | 14/2.5mm ² |
| | Outdoor-Indoor Signal Line | Line Quantity | — | 3 | 3 | 3 |
| | | Line Diameter(AWG) | — | 18/1.0mm ² | 18/1.0mm ² | 18/1.0mm ² |
| Thermostat Signal Line | Line Quantity | — | 5 | 5 | 5 | |
| | Line Diameter(AWG) | — | 18/1.0mm ² | 18/1.0mm ² | 18/1.0mm ² | |

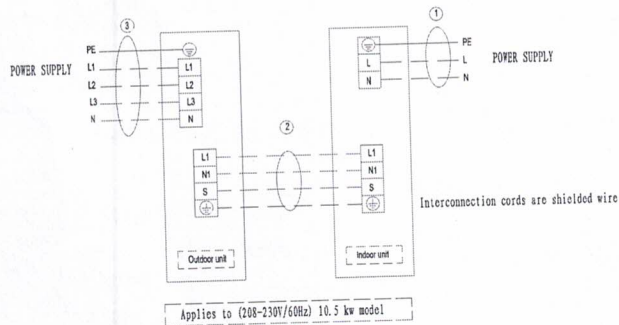
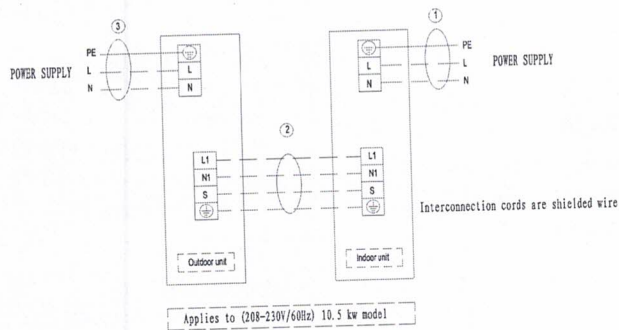
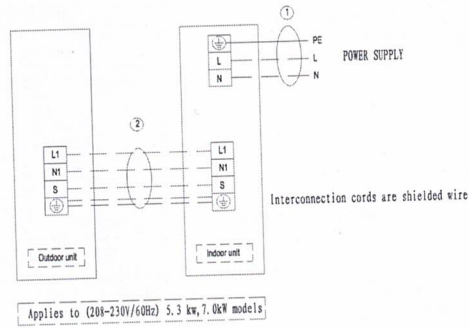
TABLE6:Wiring Gauge

| | | Capacity(Btu/h) | | | | |
|------------------------|----------------------------|--------------------|-----------------------|-----------------------|-----------------------|-----------------------|
| | | 24000 Btu/h | 36000 Btu/h | 48000 Btu/h | 60000 Btu/h | |
| Power | Indoor | Phase | Single | | | |
| | | Frequency/Voltage | 220-240V,50/60Hz 1PH | | | |
| | Outdoor | Phase | Three | | | |
| | | Frequency/Voltage | 380-420V, 50/60Hz 3PH | | | |
| Input Current Fuse | Indoor unit(A) | — | 5A | 5A | 5A | |
| Lines Gauge | Indoor Unit Power Line | Line Quantity | — | 3 | 3 | 3 |
| | | Line Diameter(AWG) | — | 18/1.0mm ² | 18/1.0mm ² | 18/1.0mm ² |
| | Outdoor Unit Power Line | Line Quantity | — | 5 | 5 | 5 |
| | | Line Diameter(AWG) | — | 12/4.0mm ² | 12/4.0mm ² | 10/6.0mm ² |
| | Outdoor-Indoor Signal Line | Line Quantity | — | 3 | 3 | 3 |
| | | Line Diameter(AWG) | — | 18/1.0mm ² | 18/1.0mm ² | 18/1.0mm ² |
| Thermostat Signal Line | Line Quantity | — | 5 | 5 | 5 | |
| | Line Diameter(AWG) | — | 18/1.0mm ² | 18/1.0mm ² | 18/1.0mm ² | |

TABLE7:Wiring Gauge

DC INVERTER UNIT

DC Inverter Unit Wiring Diagram



Notice

1. To avoid abnormal operation of the unit caused by electromagnetic interference, attention should be paid to avoid the interference signal source when Connecting cables.
2. The wiring diagram is for reference only, when wiring, physical objects will prevail!!

DC INVERTER UNIT

Unit wiring

The cross-sectional area of the conductor selected by user must not be less than the specifications listed in the table. If the the user's

power cord is too far away from the unit, make a corresponding increase in the cross-sectional area of the line group to ensure the normal power supply.

Power supply line specifications

| Name Model | Outdoor power supply line (quantity, diameter) H05RN-F | Indoor power supply line (quantity, diameter) H05VV-F | Indoor /outdoor connection line (quantity, Diameter) | Power supply method |
|-------------------------------|--|---|--|---------------------------------------|
| Single phase 5.3kW model | / | 3 x 2.5mm ² | 4 x 2.5mm ² | Indoor Power Supply |
| Single phase 7.0 kW model | / | 3 x 2.5mm ² | 4 x 2.5mm ² | Indoor Power Supply |
| Single phase 10.5 kW model | 3 x 4mm ² | 3 x 1.5mm ² | 3 x 1mm ² | Indoor / outdoor separately powerd |
| 3-phase ≥10.5kw model | 5 x 2.5mm ² | 3 x 1.5mm ² | 3 x 1mm ² | Indoor / outdoor separately powerd |

Fault code

Indoor unit fault is displayed

| Fault Description | 4LED fault indication | Digital display | Wired remote display |
|--|--------------------------------|-----------------|----------------------|
| Three-phase power phase sequence fault | | E0 | E0 |
| Indoor and outdoor unit communication failure | Timing lights flash | E1 | E1 |
| Temperature sensor (T1) fault | Running lights flash | E2 | E2 |
| Pipe temperature sensor in the evaporator (T2) fault | Running lights flash | E3 | E3 |
| Pipe temperature sensor in the evaporator (T2B) fault | Running lights flash | E4 | E4 |
| Outdoor unit failure | Warning lights flash slowly | E5 | E5 |
| The indoor unit EEPROM fault | Defrost lights flash slowly | E7 | E7 |
| Water over protection | Warning lights flash | EE | EE |
| Indoor unit with line controller communication failure | | E9 | E9 |
| Note: The flash frequency for each of the above indicator is 2.5Hz, slow flashing frequency is 1Hz | | | |

DC INVERTER UNIT

Outdoor unit fault display

| Display content | Definition of fault or protection | Remark: |
|-----------------|---|---|
| E1 | Three-phase power phase sequence fault | |
| E2 | Communication fault between the outdoor unit and the mast | Communication is interrupted for more than 2 minutes 20 minutes after the initial power-on or within 20 minutes |
| E4 | Temperature sensor fault | |
| E6 | Condenser tube temperature sensor fault | |
| E9 | AC over-voltage / under-voltage protection | |
| E10 | EEPROM fault | |
| H0 | 0513 and DSP communication fault | |
| H4 | Display P6 protection for 3 times within 30 minutes | Unable to restore unless a second power-on |
| H5 | Display P2 protection for 3 times within 30 minutes | Unable to restore unless a second power-on |
| H6 | Display P4 protection for 3 times within 100 minutes | Unable to restore unless a second power-on |
| H9 | Display P9 protection for 2 times within 10 minutes | Unable to restore unless a second power-on |
| H10 | 3 times of P3 protection occurs within 60 minutes | Unable to restore unless a second power-on |
| P1 | High voltage protection | |
| P2 | Low-voltage protection | Display H5 after 3 times of P2 protection within 30 minutes |
| P3 | Primary / secondary overcurrent protection | |
| P4 | Exhaust overheating protection | 3 time of P4 protection appears within 100 minutes and then H6 occurs |
| P5 | High tube temperature protection | |
| P6 | Module protection | 3 times of P6 protection appears within 30 minutes and then H4 occurs |
| P9 | DC fan fault | Display H9 after 2 times of P9 protection within 10 minutes |
| P10 | Anti-typhoon protection | |
| P11 | Refrigeration T2 overheating protection | |
| P12 | 5 minutes continuous fault on hot air system at area A | |
| L0 | DC compressor module fault | |
| L1 | DC bus low voltage protection | |
| L2 | DC bus high voltage protection | |
| L4 | MCE fault / sync / closed loop | |
| L5 | Zero speed protection | |
| L7 | Phase sequence error protection | |
| L8 | 15Hz protection | |
| L9 | Hz Protection | |

DC INVERTER UNIT

Parameter table for outdoor unit check and maintenance

The digital tube displays the indoor unit quantity connected and communicated with during standby; The digital tube

Displays the frequency value during operation of compressor; The digital tube displays "dF" during defrosting;

| No. | | Display content | Remark: |
|-----|----------------|--|--|
| 0 | Normal display | Current frequency / Indoor unit quantity | Quantity at power on displayed on standby |
| 1 | 1- | Outdoor unit local capacity | |
| 2 | 2- | Total capacity needs of indoor unit | |
| 3 | 3- | Total capacity of the outdoor unit after correction; | |
| 4 | 4- | Operation mode (0: Off / air supply; 2: cooling; 3: heating; 4: forced refrigeration); | 0: Shutdown / air supply; 2: Cooling; 3 heating; 4: Forced cooling |
| 5 | 5- | Actual operating capacity of the outdoor unit | |
| 6 | 6- | Fan status | 0-7 |
| 7 | 7- | T2/T2B on average | |
| 8 | 8- | T3 pipe temperature | |
| 9 | 9- | T4 environmental temperature | |
| 10 | 10- | T5 exhaust temperature | |
| 11 | 11- | Opening of the electronic expansion valve | Actual value= Displayed value on inspection × 8 |
| 12 | 12- | Primary current | |
| 13 | 13- | Secondary circuit current | |
| 14 | 14- | Primary voltage | |
| 15 | 15- | Secondary voltage | Actual value= Displayed value on inspection × 4 |
| 16 | 16- | Sets of indoor units | |
| 17 | 17- | Number of working indoor units | |
| 18 | 18- | Last fault or protection code | No protection or fault display __ |
| 19 | 19- | --- | Spot check over |

