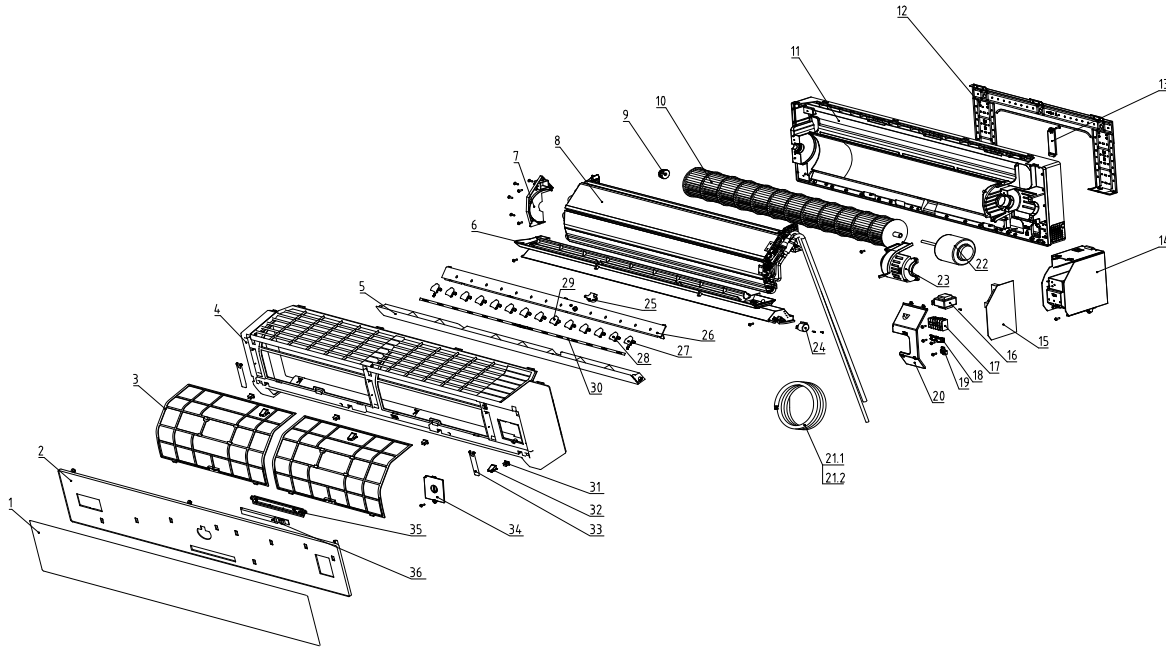


Exploded View - MR3623-EU



No.	Part No.	Part Name	Qty	Remark
0	N/A	The whole unit		
1	N/A	Decorative panel (Black)		
2	N/A	Panel		
3	N/A	Filter		
4	N/A	Medium frame		
5	N/A	Air louver (Horizontal)		
6	N/A	Air-vent holder		
7	N/A	Holder of evaporator		
8	N/A	Evaporator		
9	N/A	Rubber shaft bearing		
10	N/A	Through flow fan		
11	N/A	Mounting plate		
12	N/A	Evaporator tubing clamp		
14	N/A	Control box		
15	N/A	Main control box		
15.1	N/A	Fan motor capacitor		
15.2	N/A	Fuse		
16	N/A	Transformer		
17	N/A	Terminal board		
18	N/A	Power cable clamp		
19	N/A	Power cord clamp		
20	N/A	Control box cover		
21	N/A	Power cable		
22	N/A	Indoor fan motor		
23	N/A	Motor cover		
24	N/A	Stepper motor		
25	N/A	Stepper motor		



Exploded View - MR3623-EU

No.	Part No.	Part Name	Qty	Remark
26	N/A	Vanes pallet		
27	N/A	Air blade C		
28	N/A	Air blade A		
29	N/A	Air blade B		
30	N/A	Airflow vanes connecting pole		
31	N/A	Panel clasp		
32	N/A	Screw cover		
33	N/A	Panel support bar		
34	N/A	Medium frame wiring cover		
35	N/A	Display board's holder		
36	N/A	Display board		