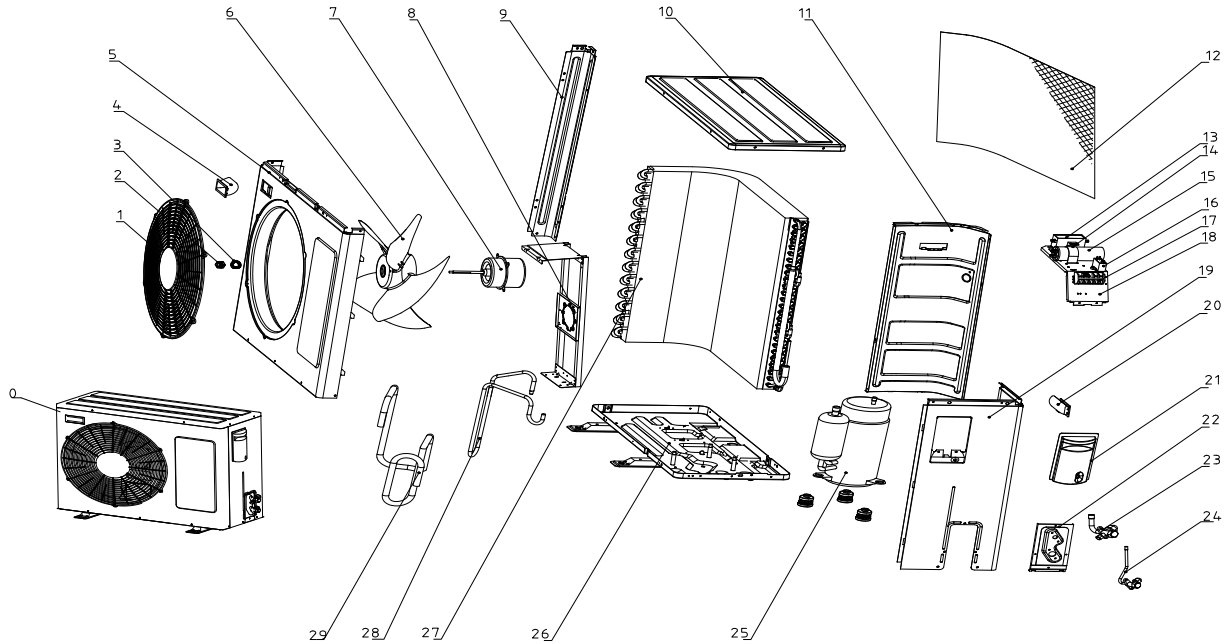


Exploded View - MR3623-CU



No.	Part No.	Part Name	Qty	Remark
0	N/A	Whole Unit		
1	N/A	Plastic Net		
2	N/A	Hex nut		
3	N/A	Standard spring washer		
4	N/A	Handle		
5	N/A	Outdoor Panel Galvanized ROHS)		
6	N/A	Axil flow fan		
7	N/A	Through flow fan		
8	N/A	Motor support		
9	N/A	Left side support plate		
10	N/A	Top cover assembly		
11	N/A	Partition board		
12	N/A	Plastic grille		
13	N/A	Single stage AC contactor		
14	N/A	Capacitor clamp		
15	N/A	Compressor capacitor		
16	N/A	Fan motor capacitor		
17	N/A	Outdoor Terminal board		
18	N/A	Galvanized E-parts bracket		
19	N/A	Galvanized right side board		
20	N/A	Handle		
21	N/A	R32 E-parts cover		
22	N/A	R32W/S valve plate Galvanized		
23	N/A	Stop valve B Dg13-I*16		
24	N/A	Stop valve A Dg8*6		
25	N/A	Compressor assembly (PA240M2A-3MTU2)		



Exploded View - MR3623-CU

No.	Part No.	Part Name	Qty	Remark
26	N/A	Chassis assembly		
27	N/A	Condenser assembly		
28	N/A	Discharge pipe of comp		
29	N/A	Suction pipe of comp		