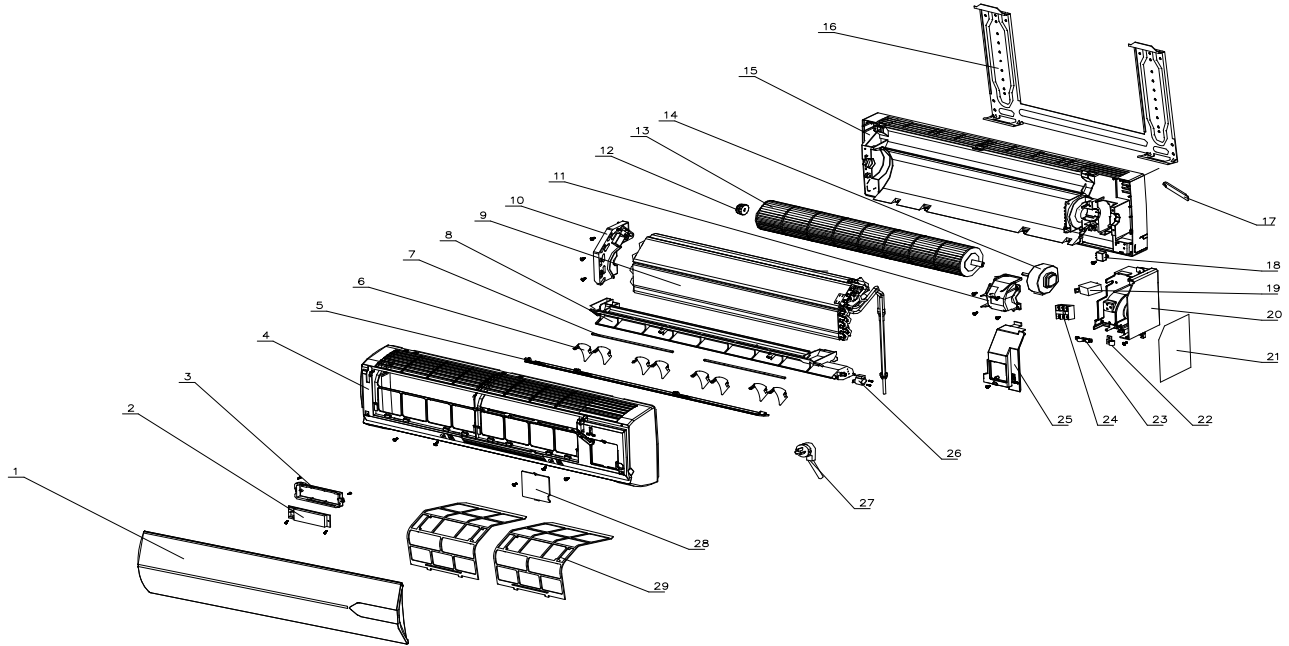


Exploded View - MR1823-EU



No.	Part No.	Part Name	Qty	Remark
1	N/A	Front panel	1	
2-3	N/A	Display board assembly	1	
4	N/A	Medium frame	1	
5	N/A	Horizontal airflow blade	2	
6	N/A	Vertical airflow vanes	8	
7	N/A	Connecting rod of vanes	2	
8	N/A	Air outlet frame assembly	1	
9	N/A	Evaporator assembly	1	
10	N/A	Left-hand propping holder for evaporator	1	
11	N/A	Motor cover	1	
12	N/A	Bearing holder	1	
13	N/A	Cross-flow fan	1	
14	N/A	Indoor fan motor	1	
15	N/A	Chassis assembly	1	
16	N/A	Mount bracket	1	
17	N/A	Pipe clamp	1	
18	N/A	Anion Generator	1	Optional
19	N/A	Transformer	1	
20	N/A	Controller box	1	
21	N/A	PCB board	1	
21	N/A	Env temp sensor	1	
21	N/A	Evap Coil temp sensor	1	
22	N/A	Power cable clip	1	
23	N/A	Power connection cable clip	1	
24	N/A	Terminal board	1	
25	N/A	Control box cover	1	



Exploded View - MR1823-EU

No.	Part No.	Part Name	Qty	Remark
26	N/A	Step motor	1	
27	N/A	Power cable	1	
28	N/A	Terminal board cover	1	
29	N/A	Filter assembly	2	