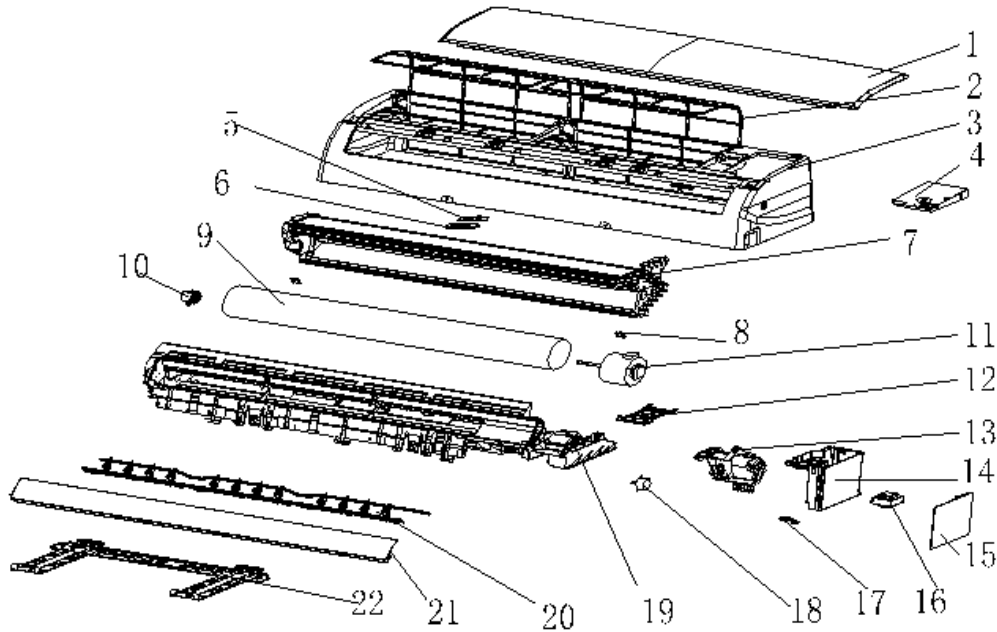


Exploded View MGS2433EU



| No. | Part No. | Part Name | Qty | Remark |
|-----|--------------|------------------------|-----|-----------------------------|
| 1 | 41106-001002 | Front Panel | 1 | |
| 2 | 42008-000001 | Air Filter | 2 | |
| 3 | 41106-002351 | Face Frame | 1 | |
| 4 | 41105-000146 | Electrical Box Cover | 1 | |
| 5 | 31102-000084 | Display PCB | 1 | |
| 6 | 42003-000001 | Display PCB Box | 1 | |
| 7 | 92011-002861 | Evaporator | 1 | |
| 8 | 41108-000066 | Screw Cover | 2 | |
| 9 | 42004-000002 | Cross Fan | 1 | |
| 10 | 42007-000001 | Bearing Mount | 1 | |
| 11 | 22001-000260 | Indoor Motor | 1 | |
| 12 | 41101-000224 | In And Out Pipe Fixer | 1 | |
| 13 | 42003-000045 | Indoor Motor Cover | 1 | |
| 14 | 41105-000104 | Electrical Box | 1 | |
| 15 | 31101-000209 | Main PCB | 1 | |
| 16 | NO | Transformer | 1 | |
| 17 | 42001-000112 | Cable Clamp | 1 | |
| 18 | 22001-000321 | Vane Motor 1 | 1 | |
| 19 | 41102-000002 | Base | 1 | |
| 20 | 41101-000042 | Vertical Vane Assembly | 3 | |
| 21 | 41103-000142 | Vane | 1 | |
| 22 | 41109-000019 | Installation Plate | 1 | |
| 23 | 10104-100014 | Indoor Sensor Assembly | 1 | Not shown in Explosion view |



Exploded View MGS2433EU

| No. | Part No. | Part Name | Qty | Remark |
|-----|--------------|-------------------|-----|-----------------------------|
| 24 | 22013-000946 | Remote Controller | 1 | Not shown in Explosion view |
| 25 | 42009-000011 | Drainage Hose | 1 | |
| 26 | A1101-004502 | Indoor Carton | 1 | |
| 27 | A2006-000070 | Left Foaming | 1 | |
| 28 | A2006-000068 | Right Foaming | 1 | |
| 29 | 42005-000069 | Middle support | 1 | |