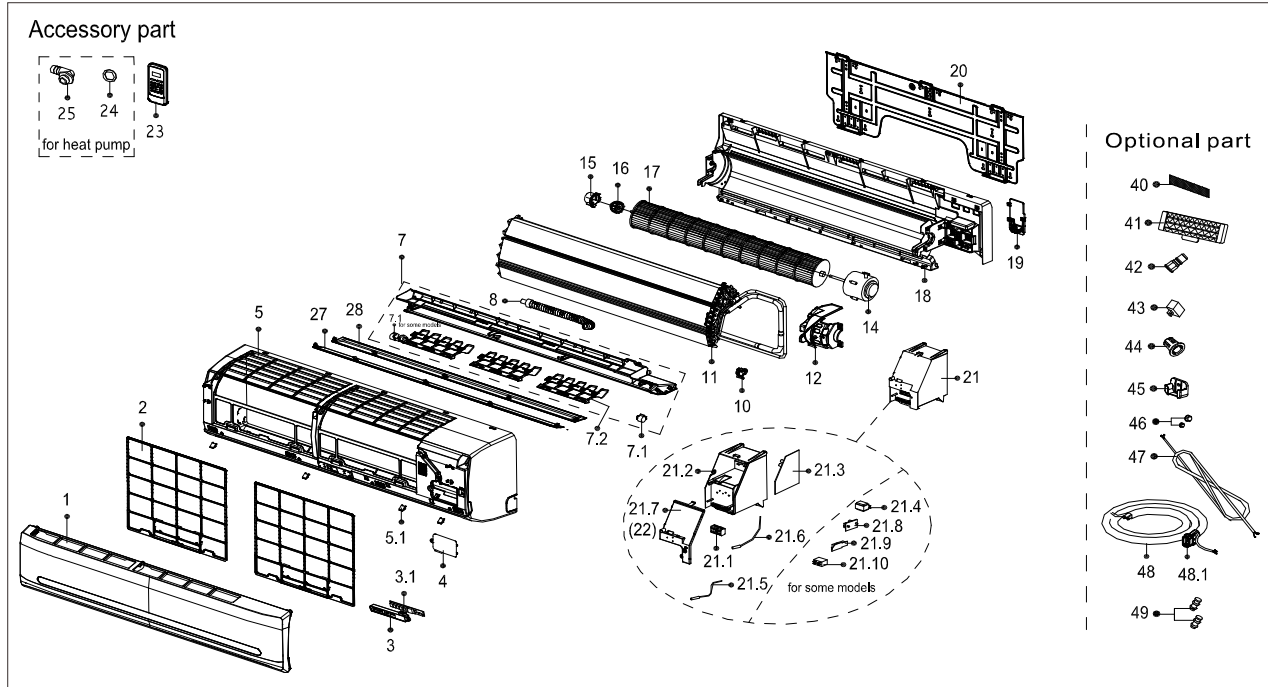




Exploded View - MGC3623C



No.	Part Name	Part Name	Qty	Remark
1	12122000001101	Panel assembly	1.0	KSA-KT3FR90G/Y-AB3T(B9)-W.1
2	12100204000456	Air filter	2.0	
3	17222000002719	Display box subassembly	1.0	
3.1	17122000006952	Display board subassembly	1.0	AR-KFR90G/N1Y-AB3.ZJD.JGN.WXXS.XS2.1
4	12122000006694	Cover of electrical equipment	1.0	
5	12122000001931	Panel frame assembly	1.0	
5.1	12122000006272	Screw Cap	4.0	
7	12122000011921	Air outlet assembly	1.0	
7.1	11002010000004	Stepper motor	1.0	SM-24-19-16-31
7.2	12122000000148	Horizontal louver	3.0	KSA-KT3FR90G/Y-AB1T(B9)-W.3-1
8	12100501000021	Drain hose	1.0	
10	12122000024323	Fixed clamp of temperature sensor	1.0	
11	15822000008171	Evaporator assembly	1.0	
12	12122000005475	Fan motor cover	1.0	
14	11002015008646	Brushless DC Motor	1.0	ZKFP-58-8-1-5
15	12122000000350	Bearing holder	1.0	
16	12622000000006	Bearing base	1.0	
17	12100102000084	Cross flow fan	1.0	GL-118*955-I
18	12122000003909	Chassis assembly	1.0	
19	12122000000460	pipe clamp board	1.0	



Exploded View - MGC3623C

No.	Part Name	Part Name	Qty	Remark
20	12222000000029	Installation plate	1.0	
21	17222000009480	Electronic control box subassembly (Mid-and low-end)	1.0	
21.1	17400401000006	Terminal	1.0	JXZ-AD5Z(UL)-C(YF2004C)
21.2	12122000004617	Electronic control box	1.0	
21.3	17122000018871	Main control board subassembly	1.0	US1-KFR105G/BP3N1Y- ABF(P0)- W.JD.GN.WXNK.NK2.1
21.5	11201007003424	Room temperature sensor	1.0	CGQ-WD/SW4100-L350- XHBCP2BL-P300-HT1.0
21.6	11201007003447	Pipe Temperature Sensor	1.0	CGQ-WD/GW4100-L350- XACP2-P250
21.7	12122000005040	Cover of electronic control box	1.0	
23	17317000001294	Remote controller	1.0	RG51F/EU1
24	12600701000039	seal ring	1.0	
25	12100509000061	Drain hose	1.0	
27	12122000006106	Horizontal louver	1.0	
28	12122000008092	Horizontal louver	1.0	
40	12100204000685	Air freshening filter	1.0	
42	15500209000002	Detection valve	1.0	
46	15500406000003	Copper nut	1.0	TLM-D04
46	15500406000010	Copper nut	1.0	TLM-B02