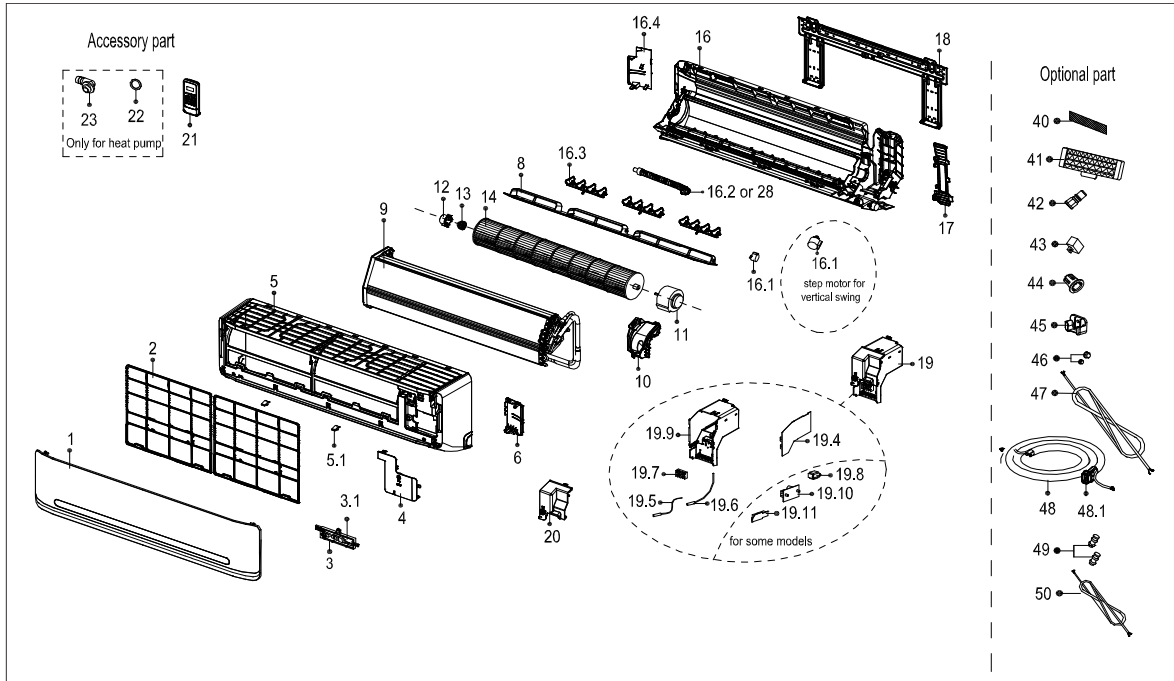




Exploded View - MGC2423E-19



No.	Part No.	Part Name	Qty	Remark
1	12122000001602	Panel assembly	1.0	CE-KFR70G/N1Y-AB3.1(SY)
2	12100204000461	Air filter	2.0	
3	17222000002837	Display box subassembly	1.0	
3.1	17122000006953	Display board subassembly	1.0	EU-KFR26G/N1Y-AB3.ZD.JGN.WXXS.XS2.1
4	12122000006733	Cover of electrical equipment	1.0	
5	12122000001956	Panel frame assembly	1.0	
5.1	12122000008242	Screw Cap	2.0	
6	12122000004608	Front cover of chassis(right)	1.0	
8	12122000006335	Horizontal louver	1.0	
9	15822000008175	Evaporator assembly	1.0	
10	12122000005512	Fan motor cover	1.0	
11	11002012003053	Single phase asynchronous motor	1.0	YKFG-45-4-13
12	12122000000350	Bearing holder	1.0	
13	12622000000006	Bearing base	1.0	
14	12100102000018	Cross flow fan	1.0	GL-108*818
16	121220000011879	Chassis assembly	1.0	
16.1	11002010000049	Stepper motor	1.0	SM-30-17-12-14
16.3	12122000000135	Horizontal louver	3.0	
16.4	12122000004614	Front cover of chassis	1.0	
17	121220000012942	pipe clamp board	1.0	
18	122220000000026	Installation plate	1.0	



Exploded View - MGC2423E-19

No.	Part No.	Part Name	Qty	Remark
19	17222000026693	Electronic control box subassembly (Mid-and low-end)	1.0	
19.4	17122000040795	Main control board subassembly	1.0	US1-KF64G/BP2N1Y-ABE(R0)- W.JD.GN.WXNK.NK2.1
19.5	11201007003425	Room temperature sensor	1.0	CGQ-WD/SW4100-L500- XHBCP2BL-P450-HT1.0
19.6	11201007003445	Pipe Temperature Sensor	1.0	CGQ-WD/GW4100-L500- XACP2-P400
19.7	17400401000006	Terminal	1.0	JXZ-AD5Z(UL)-C(YF2004C)
19.9	12122000020327	Electronic control box	1.0	
19.10	17122000008083	Power Module Subassembly	1.0	
20	12122000005024	Cover of electronic control box	1.0	
21	17317000001294	Remote controller	1.0	RG51F/EU1
28	12100501000032	Drain hose	1.0	
40	12100204000685	Air freshening filter	1.0	
46	15500406000010	Copper nut	1.0	TLM-B02
46	15500406000003	Copper nut	1.0	TLM-D04