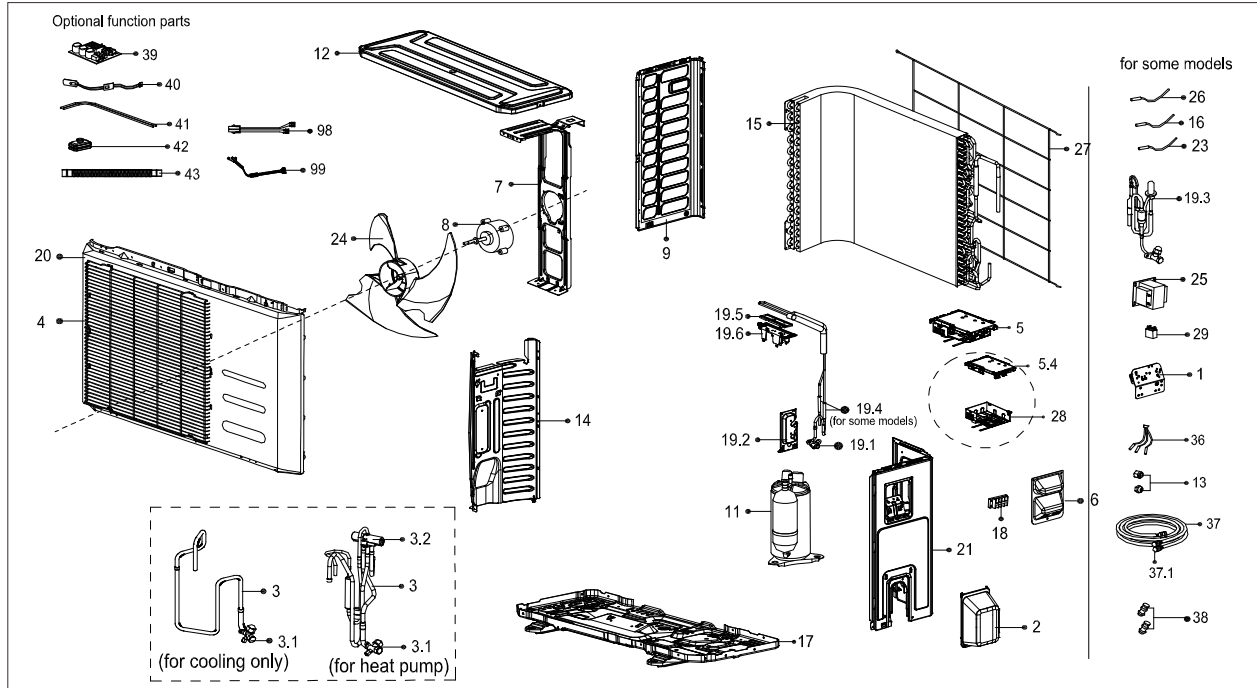


Exploded View - MGC2423C-19



No.	Part No.	Part Name	Qty	Remark
1	12222000005424	Support of electronic control box	1.0	
2	12122000007150	Water collector	1.0	
3	15422000007797	Gas valve assembly	1.0	
3.1	15500204000025	Gas valve	1.0	DYF-C15N1
4	12222000011145	Air outlet grille	1.0	
5	17222000026694	Electronic control box subassembly	1.0	US1-KF64W/BP3N1-CA30(R)-W(PD22017089+ATN150+RX6 2T+FSBB30CH60C+GA).JD.F W.WXWKB.DK1
5.4	12122000008999	Electronic installing box	1.0	
6	12222000010966	Big handle assembly	1.0	
7	12222000005182	Supporter subassembly of fan motor	1.0	
8	11002015008365	Brushless DC Motor	1.0	ZKFN-50-8-2-3
9	12222000004831	Left side plate assembly of cabinet	1.0	
11	11103020002419	DC Inverter Rotary Compressor	1.0	ATN150D30UFZA
12	12222000004835	Top cover assembly	1.0	
13	15500406000003	Copper nut	1.0	TLM-D04
13	15500406000010	Copper nut	1.0	TLM-B02
14	12222000005423	Partition board assembly	1.0	
15	15822000003536	Condenser assembly	1.0	
16	11201007000039	Room temperature sensor	1.0	CGQ-WD/SW4100-L850-SMP2-P650
17	12222000004787	Chassis assembly	1.0	



Exploded View - MGC2423C-19

No.	Part No.	Part Name	Qty	Remark
18	17400401000075	Terminal	1.0	JXZ-PT5H-A
19	15422000015621	Liquid valve assembly	1.0	
19.1	15500208000286	Liquid valve	1.0	GYF-C27N
19.2	12222000002571	Valve plate	1.0	
19.5	11203803001176	Radiator	1.0	SRQ155.2*37.9*5.3-AIQ80g-0
19.6	12122000011478	U-Typed Support with Copper Pipe	1.0	
20	12222000006304	Front panel assembly	1.0	
21	12222000004830	Right side plate	1.0	
23	11201007000136	Pipe temperature sensor	1.0	CGQ-WD/GW4100-L850-SMP3B-P800
24	12100105000181	Axial flow fan	1.0	ZL-490*151*12-3KN
26	11201007000157	Discharge temperature sensor	1.0	CGQ-WD/PQ3950-L500-SMP2B-G470
27	12222000004833	Rear net	1.0	
28	1222200002695	Electronic installing box subassembly	1.0	
99	17401203000939	Compressor wire subassembly	1.0	