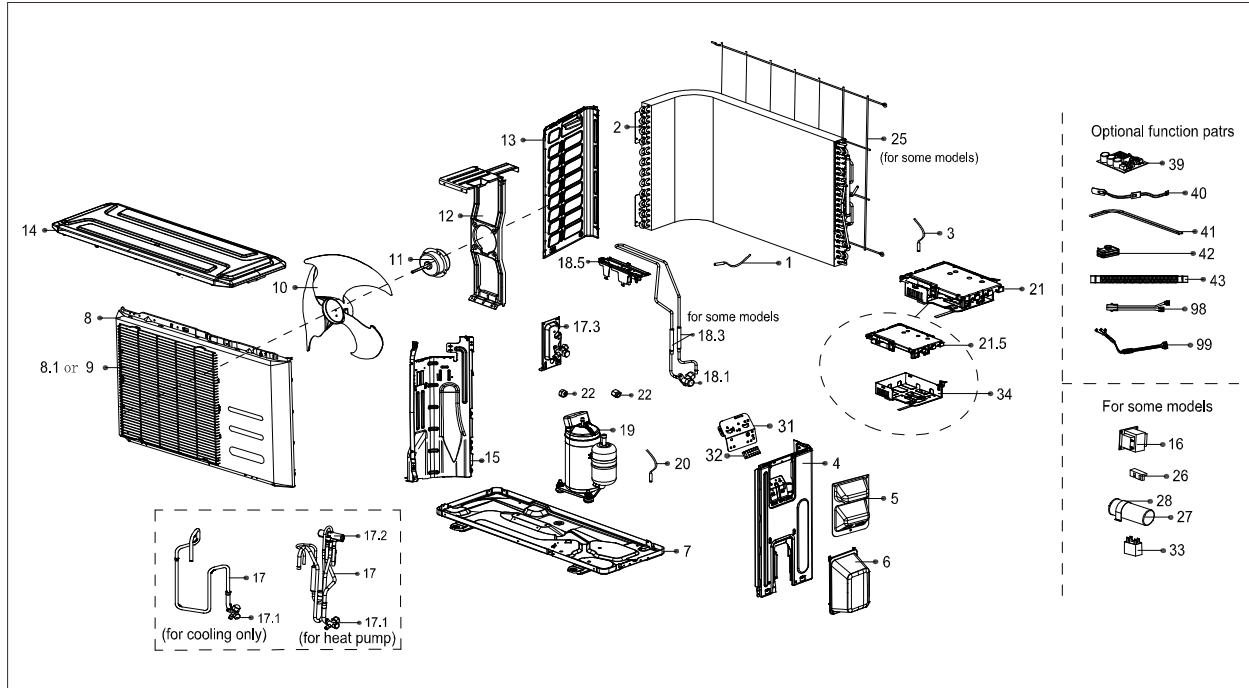


## Exploded View - MGC1823C-19



No.	Part No.	Part Name	Qty	Remark
1	11201007000039	Room temperature sensor	1.0	CGQ-WD/SW4100-L850-SMP2-P650
2	15822000007500	Condenser assembly	1.0	
3	11201007002320	Pipe temperature sensor	1.0	CGQ-WD/GW4100-L560-SMP3B-P500
4	12222000006249	Right clapboard assembly	1.0	
5	12222000010966	Big handle assembly	1.0	
6	12122000007150	Water collector	1.0	
7	12222000004427	Chassis assembly	1.0	
8	12222000004842	Front panel assembly	1.0	
10	12100105000004	Axial flow fan	1.0	ZL-420*143*8-3KN
11	11002015008264	Brushless DC Motor	1.0	ZKFN-34-8-1-3
12	12222000008924	Supporter subassembly of fan motor	1.0	
13	12222000006244	Left supporter	1.0	
14	12222000006246	Top cover assembly	1.0	
15	12222000004425	Partition board	1.0	
17	15422000004757	Gas valve assembly	1.0	
17.1	15500204000058	Gas valve	1.0	DYF-B29N
17.3	12222000002571	Valve plate	1.0	
18	15422000009473	Liquid valve assembly	1.0	
18.1	15500208000028	Liquid valve	1.0	GYF-A28N
18.5	12122000008879	U-Typed Support with Copper Pipe	1.0	
19	11103020003099	DC Inverter rotary compressor	1.0	ASN140D21UFZ



## Exploded View - MGC1823C-19

No.	Part No.	Part Name	Qty	Remark
20	11201007000005	Discharge temperature sensor	1.0	CGQ-WD/PQ3950-L380-SMP2R-G340
21	17222000024572	Electronic control box subassembly	1.0	US1-KF53W/BP3N1-BA30(LMG+PD22017026+ASN140+RX24T+PSS20A+SLIM5A).JD.FW.WXWKB.DK1
21.5	12122000008999	Electronic installing box	1.0	
22	15500406000012	Copper nut	1.0	TLM-C03
22	15500406000016	Copper nut	1.0	TLM-A01
25	12222000003986	Rear net	1.0	
31	12222000002259	Terminal board	1.0	
32	17400401000075	Terminal	1.0	
34	12222000003559	Electronic installing box	1.0	
99	17401203000802	Compressor wire subassembly	1.0	