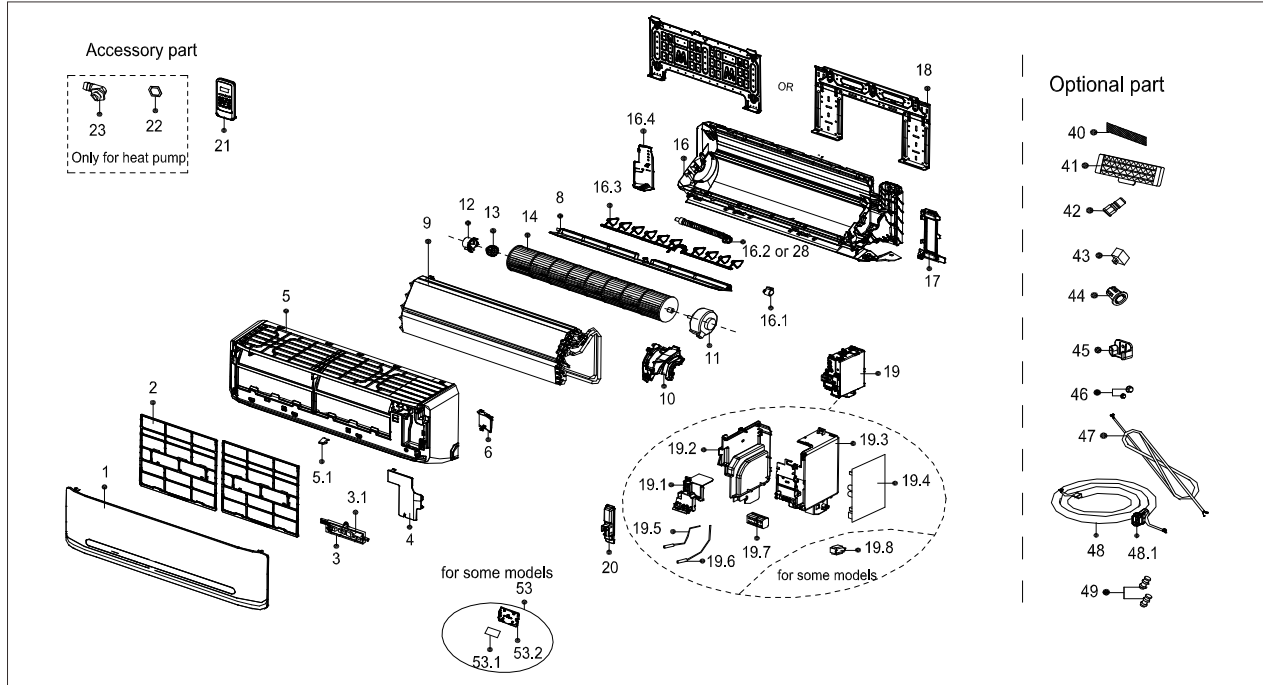


Exploded View - MGC0923E-19



No.	Part Name	Part Name	Qty	Remark
1	12122000001157	Panel assembly	1.0	CE-KFR26G/N1Y-AB3.1(SY)
2	12100204000479	Air filter	2.0	
3	17222000002878	Display box subassembly	1.0	
3.1	17122000006953	Display board subassembly	1.0	EU-KFR26G/N1Y-AB3.ZD.JGN.WXXS.XS2.1
4	12122000006755	Cover of electrical equipment	1.0	
5	12122000001894	Panel frame assembly	1.0	
5.1	12122000008242	Screw Cap	1.0	
6	12122000004587	Front cover of chassis(right)	1.0	
8	12122000008055	Horizontal louver assembly	1.0	
9	15822000008693	Evaporator assembly	1.0	
10	12122000005540	Fan motor cover	1.0	
11	11002012001871	Single phase asynchronous motor	1.0	YKFG-20-4-10L
12	12122000000350	Bearing holder	1.0	
13	12622000000006	Bearing base	1.0	
14	12100102000070	Cross flow fan	1.0	GL-94*530-N
16	12122000012359	Chassis assembly	1.0	
16.1	11002010000143	Stepper motor	1.0	SM-24-19-16-8
16.3	12122000000039	Vertical vane subassembly	1.0	
16.4	12122000010098	Front cover of chassis(left)	1.0	
17	12122000012943	pipe clamp board	1.0	
18	12222000000018	Installation plate	1.0	



Exploded View - MGC0923E-19

No.	Part Name	Part Name	Qty	Remark
19	17222000010950	Electronic control box subassembly (Mid-and low-end)	1.0	
19.1	12122000004577	Electronic control box	1.0	
19.2	12122000004639	Left cover of electronic control box	1.0	
19.3	12122000004632	Right cover of electronic control box	1.0	
19.4	17122000020574	Main control board subassembly	1.0	US1-KF26G/BP2N1Y-AB.ZJD.JGN.WXNK.NK2.1
19.5	11201007003425	Room temperature sensor	1.0	CGQ-WD/SW4100-L500-XHBCP2BL-P450-HT1.0
19.6	11201007003447	Pipe Temperature Sensor	1.0	CGQ-WD/GW4100-L350-XACP2-P250
19.7	17400401000006	Terminal	1.0	JXZ-AD5Z(UL)-C(YF2004C)
20	12122000005020	Cover of electronic control box	1.0	
21	17317000001294	Remote controller	1.0	RG51F/EU1
28	12100501000032	Drain hose	1.0	
40	12100204000685	Air freshening filter	1.0	
46	15500406000010	Copper nut	1.0	TLM-B02
46	15500406000016	Copper nut	1.0	TLM-A01