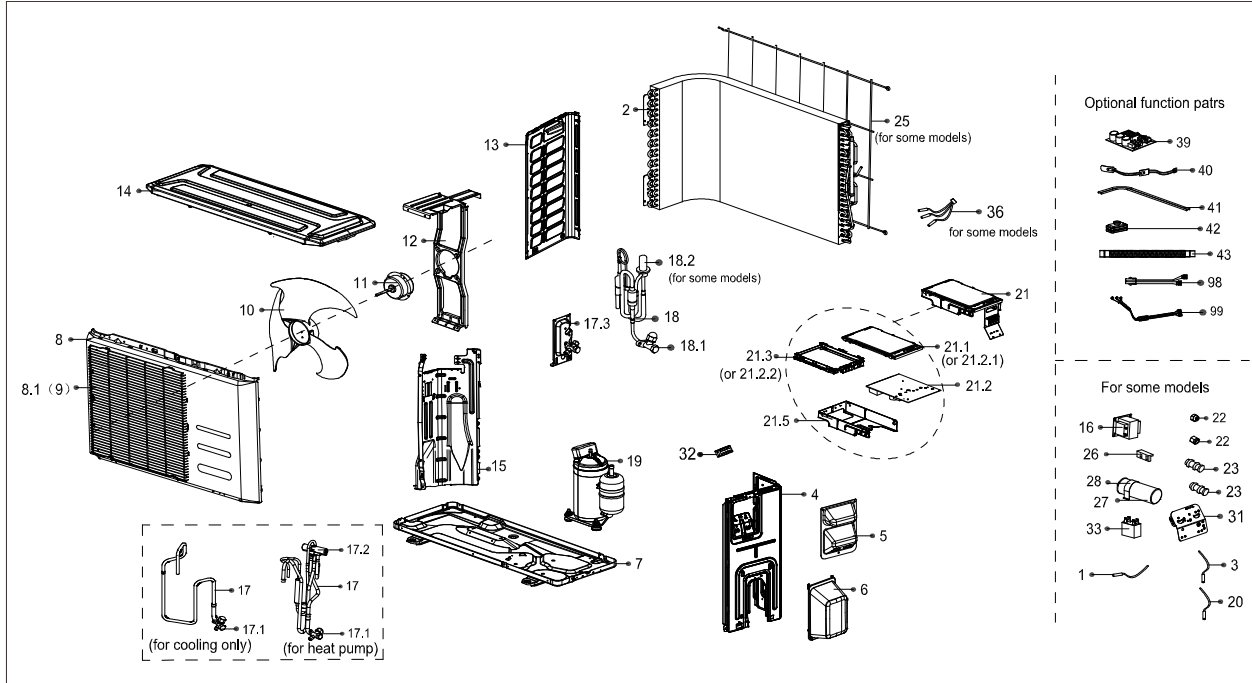




Exploded View - MGC0923C-19



No.	Part No.	Part Name	Qty	Remark
1	11201007002321	Room temperature sensor	1.0	CGQ-WD/SW4100-L270-SMP2-P250
2	15822000006597	Condenser assembly	1.0	
3	11201007002320	Pipe temperature sensor	1.0	CGQ-WD/GW4100-L560-SMP3B-P500
4	12222000006249	Right clapboard assembly	1.0	
5	12222000010966	Big handle assembly	1.0	
6	12122000007150	Water collector	1.0	
7	12222000004427	Chassis assembly	1.0	
8	12222000004842	Front panel assembly	1.0	
10	121001050000057	Axial flow fan	1.0	ZL-425*127*8-3KN
11	11002015008264	Brushless DC Motor	1.0	ZKFN-34-8-1-3
12	12222000008924	Supporter subassembly of fan motor	1.0	
13	12222000006244	Left supporter	1.0	
14	12222000006246	Top cover assembly	1.0	
15	12222000004425	Partition board	1.0	
17	15422000013792	Gas valve assembly	1.0	
17.1	15500204000021	Gas valve	1.0	DYF-A28N
17.3	12222000002571	Valve plate	1.0	
18	15422000008832	Liquid valve assembly	1.0	
18.1	155002080000028	Liquid valve	1.0	GYF-A28N
19	11103020003119	DC Inverter rotary compressor	1.0	ASK89D29UEZD



Exploded View - MGC0923C-19

No.	Part No.	Part Name	Qty	Remark
20	11201007000005	Discharge temperature sensor	1.0	CGQ-WD/PQ3950-L380-SMP2R-G340
21	17222000024648	Electronic control box subassembly	1.0	BA30(PD22017025+RX62T+F
21.2	17122000038528	Outdoor main control board subassembly	1.0	BA30(PD22017025+RX62T+F
21.2.1	12222000001455	Cover of electronic control box	1.0	
21.2.2	12122000006913	Support of electronic control box	1.0	
21.5	12222000001311	Electronic installing box subassembly	1.0	
22	15500406000010	Copper nut	1.0	TLM-B02
22	15500406000016	Copper nut	1.0	TLM-A01
25	12222000003986	Rear net	1.0	
31	12222000002259	Terminal board	1.0	
32	17400401000075	Terminal	1.0	
99	17401203000802	Compressor wire subassembly	1.0	