

1

2

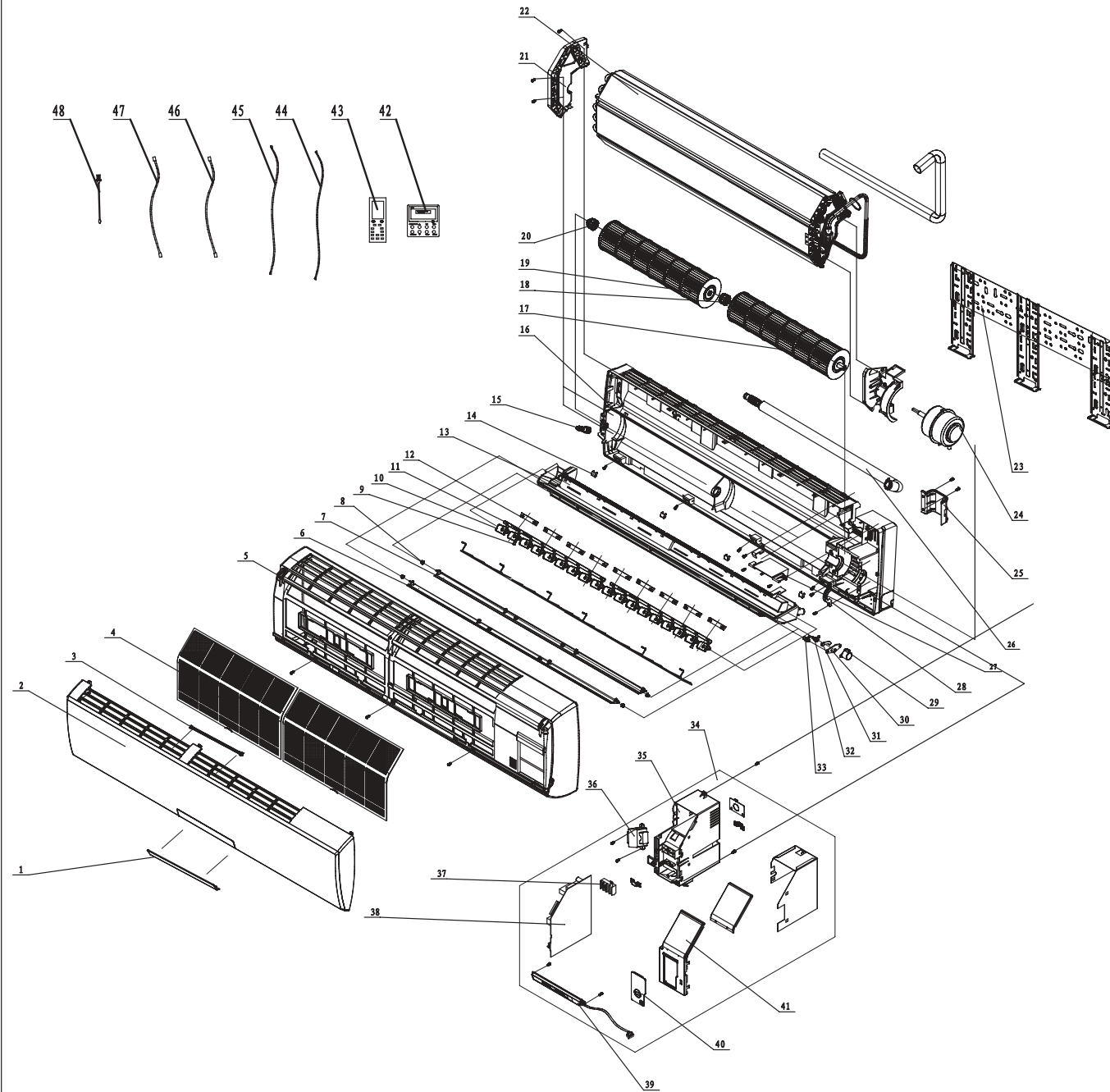
3

4

A

A

B



- 48 Ambient Temperature Sensor
- 47 Tube Sensor
- 46 Signal Wire
- 45 Power Cord
- 44 Connecting Cable
- 43 Remote Controller
- 42 Display Board
- 41 Electric Box Cover
- 40 Electric Box Cover
- 39 Display Board
- 38 Main Board
- 37 Terminal Board
- 36 Transformer
- 35 Electric Box
- 34 Electric Box Assy
- 33 Lower crank
- 32 Upper Crank
- 31 Crank-guide
- 30 Press plate (crank)
- 29 Step Motor
- 28 Motor Fixed Clip
- 27 Cover Plate
- 26 Drainage hose
- 25 Pipe Clamp
- 24 Fan Motor
- 23 Wall Mounting Frame
- 22 Evaporator Assy
- 21 Left Evaporator Support
- 20 O-Casket sub-assy of Bearing
- 19 Cross Flow Fan 2
- 18 Bearing Holder sub-assy
- 17 Cross Flow Fan 1
- 16 Rear Case Sub-Assy
- 15 Rubber Plug (Water Tray)
- 14 Screw Cover
- 13 Water Tray
- 12 Louver Clamp
- 11 Connecting Rod
- 10 Air Louver 1
- 9 Air Louver 2
- 8 Axile Bush
- 7 Lower guide louver
- 6 Upper Guide Louver
- 5 Front Case Sub-Assy
- 4 Filter Sub-Assy
- 3 Stand bar
- 2 Front Panel
- 1 Receiver Window



1

2

3

4