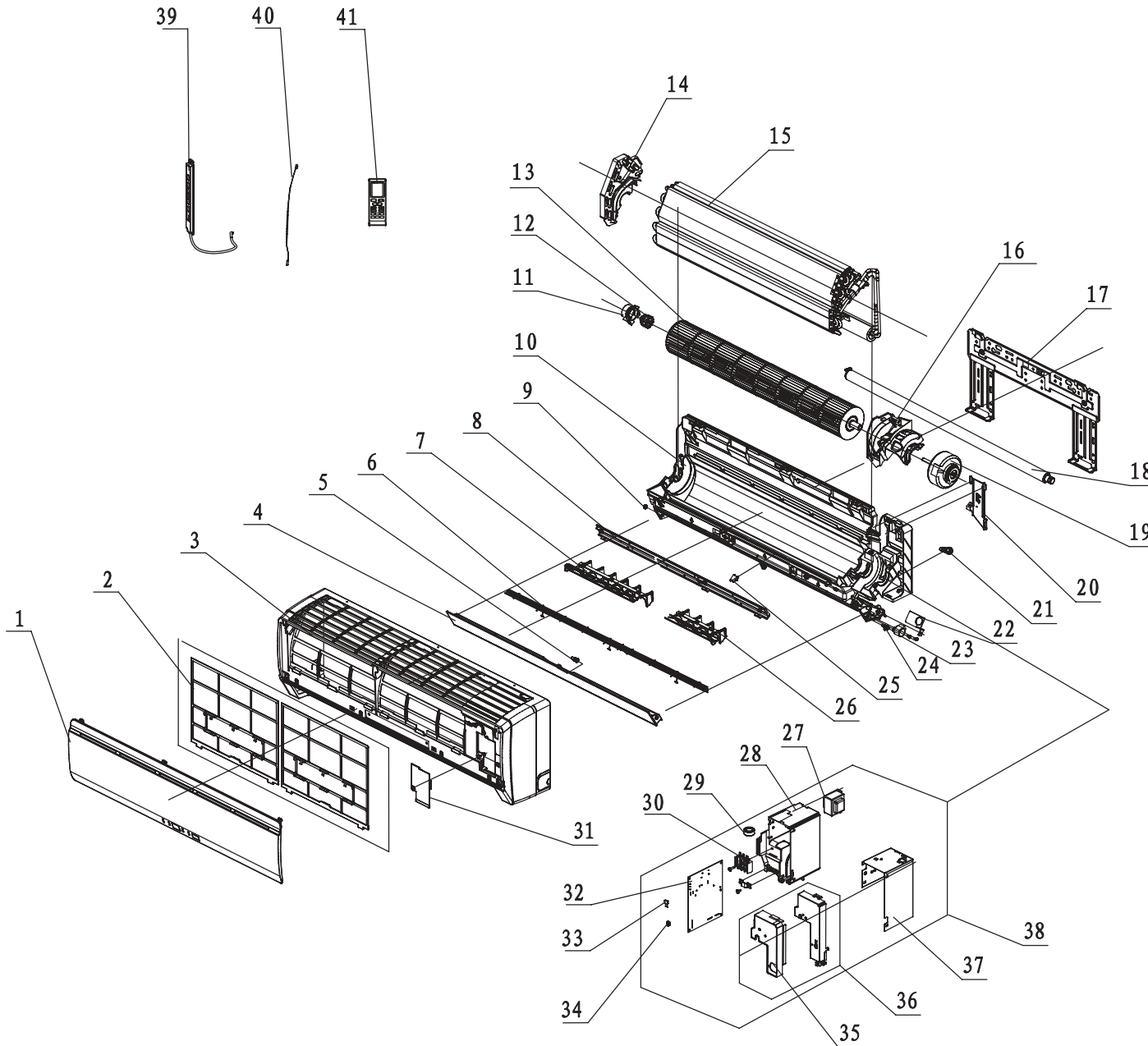


1

2

3

4



- 41 Remote Controller
- 40 Ambient Temperature Sensor
- 39 Display Board
- 38 Electric Box Assy
- 37 Lower Shield Sub-assy of Electric Box
- 36 Shield Cover of Electric Box Sub-assy
- 35 Shield Cover of Electric Box
- 34 Jumper
- 33 Capacitor CBB61
- 32 Main Board
- 31 Electric Box Cover2
- 30 Terminal Board
- 29 Magnetic Ring
- 28 Electric Box
- 27 Transformer
- 26 Air Louver 1
- 25 Screw Cover
- 24 Crank
- 23 Stepping Motor
- 22 Cable Cross Plate
- 21 Rubber Plug (Water Tray)
- 20 Connecting pipe clamp
- 19 Fan Motor
- 18 Drainage Hose
- 17 Wall Mounting Frame
- 16 Motor Press Plate
- 15 Evaporator Assy
- 14 Evaporator Support
- 13 Cross Flow Fan
- 12 O-Gasket sub-assy of Bearing
- 11 Ring of Bearing
- 10 Rear Case Assy
- 9 Left Axle Bush
- 8 Helicoid Tongue
- 7 Air Louver 2
- 6 Rear Grill
- 5 Axle Bush
- 4 Guide Louver
- 3 Front Case Sub-assy
- 2 Filter Sub-Assy
- 1 Front Panel Sub-Assy

A

B