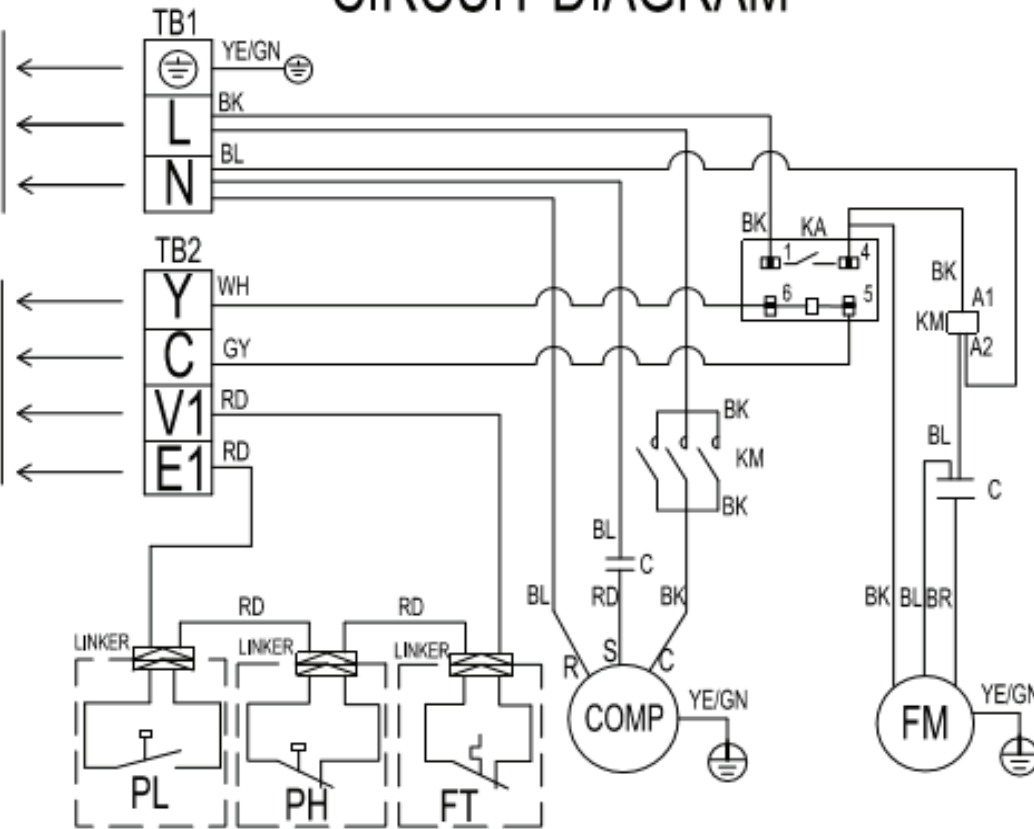


- 1 Cover net
- 2 Outdoor motor
- 3 Top cover assembly
- 4 Axial-flow fan
- 5.1 Left panel
- 5.2 Right panel
- 5.3 Back panel
- 6 Support board
- 7 Condenser assembly
- 7.1 Condenser
- 7.2 Condenser input pipe assembly
- 7.3 Condenser output pipe assembly
- 7.4 Weld assembly for high temperature valve
- 7.4.1 Block valve body
- 8 Discharge pipe weld assembly
- 8.1 Compressor discharge pipe 1
- 8.2 Compressor discharge pipe 2
- 8.3 Low-pressure switch
- 8.4 Probe pipe
- 9 Suction pipe weld assembly
- 9.1 Compressor suction pipe
- 9.2 Block valve body
- 9.3 High-pressure switch
- 10 Compressor
- 11 Chassis assembly
- 12 Electronic components
- 12.1 Electric install board weld assembly
- 12.1.1 Electric waterproof box
- 12.2 Relay
- 12.3 Terminal Board 1
- 12.4 Terminal Board 2
- 12.5 Contactor
- 12.6 Fan capacitor
- 12.7 Compressor capacitor
- 13 Top panel
- 14 Under side panel

CIRCUIT DIAGRAM

TO INDOOR TO POWER



WIRE COLOR CODE		
RD RED	OR ORANGE	WH WHITE
BK BLACK	GY GREY	YE YELLOW
BL BLUE	GN GREEN	BR BROWN

--- SHOWING THE PART CHOSEN IN THE ACTUAL INSTALLATION

COMPONENT CODE	
KM	CONTACT
COMP	COMPRESSOR
TB	TERMINAL BLOCK
FM	FAN MOTOR
KA	RELAY
PL	LOW TENSION SWITCH
PH	HIGH-TENSION SWITCH
FT	EXHAUST THERMOSTAT