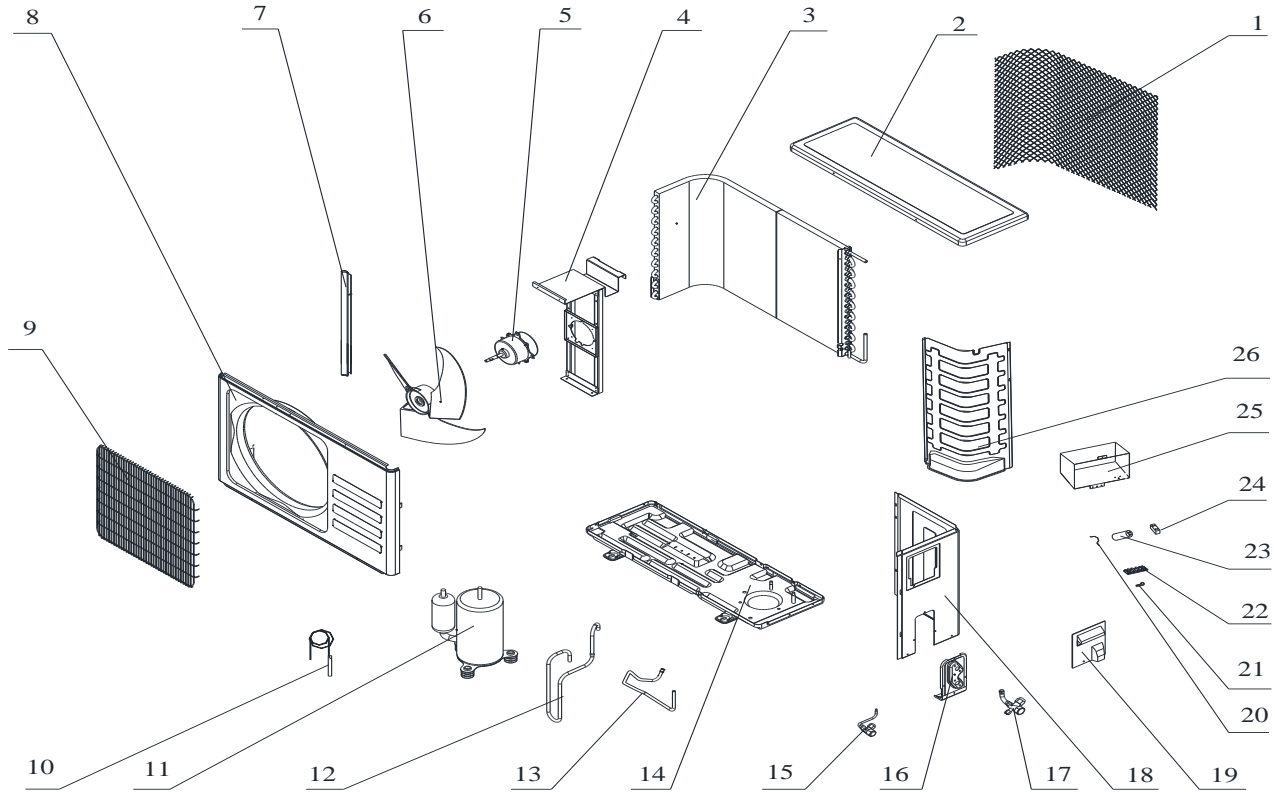


# Outdoor Unit- MRL1213C



No.	Part No.	Part Name	Q'ty	Remark
1	42011-000109	Grille	1	Optional
2	41207-000023	Top Cover	1	
3	92011-000274	Condenser	1	
4	41203-000037	Outdoor Motor Supporter	1	
5	22001-000015	Outdoor Motor	1	
6	42004-000070	Propeller Fan	1	
7	41205-000124	Left Grille Supporter	1	
8	41206-000041	Front Plate	1	
9	42011-000084	Fan Guard	1	
10	92007-001993	Capillary Assembly	1	
11	92014-000308	Compressor	1	
12	92006-000246	Discharge pipe	1	
13	92006-001394	Suction pipe	1	
14	41202-000062	Base	1	
15	92008-000018	Two-way Valve	1	
16	41204-000010	Valve Supporter	1	
17	92008-000127	Three-way Valve	1	
18	41205-000062	Right Plate	1	
19	41201-000005	Electrical Box Cover	1	
20	42001-000030	Capacitor Strip	1	
21	42001-000038	Cable Clamp	1	
22	11304-100006	terminal	1	
23	22003-000006	Compressor Capacitor	1	
24	10303-100016	Fan Motor Capacitor	1	
25	41214-000342	Electrical Parts Box	1	
26	41208-000121	Partition plate	1	
27	A2005-000517	Base carton	1	Not shown in the Explosion view.
28	A1201-007910	Cabinet carton	1	
29	A1202-000027	Base foaming	1	
30	41213-000027	Cover foaming	1	