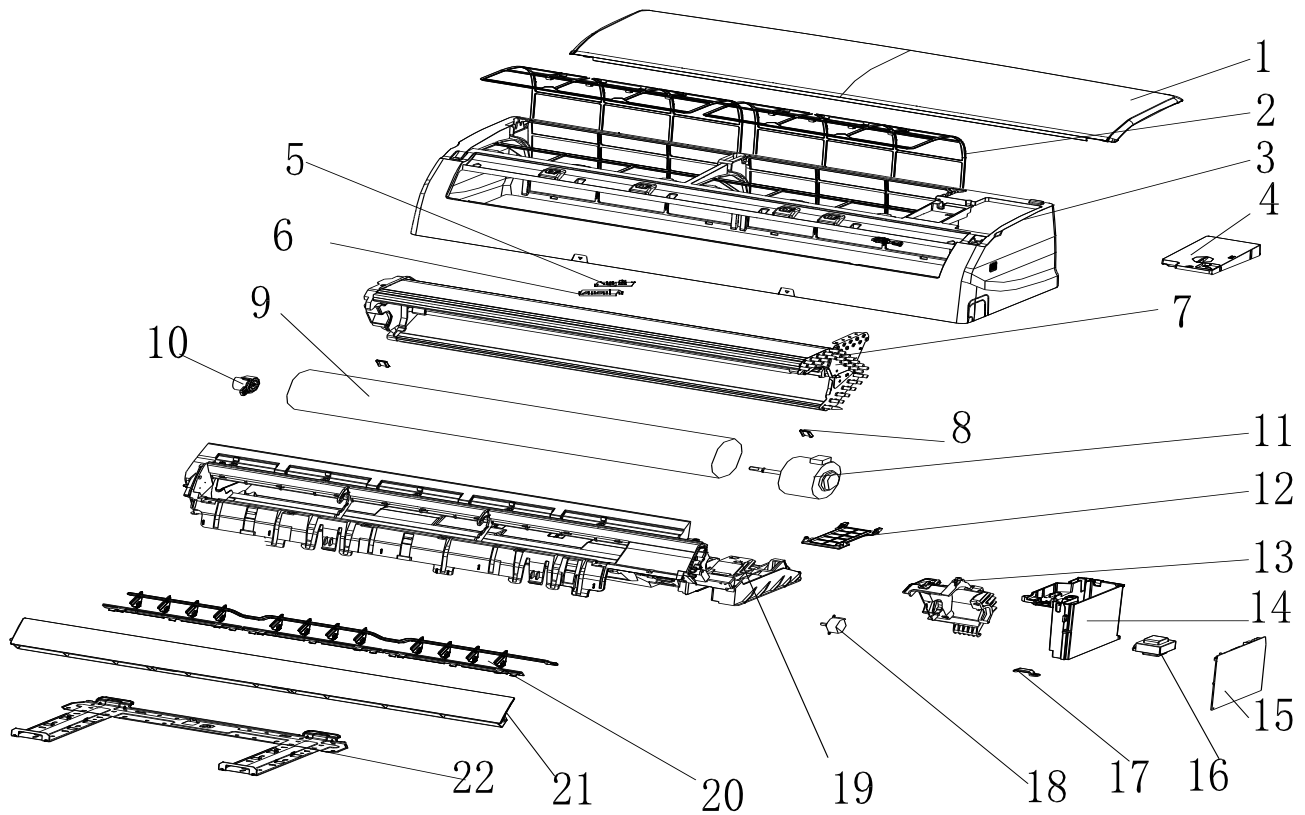


Indoor Unit-MRL0923E



No.	Part No.	Part Name	Q'ty	Remark
1	41106-002200	Front Panel	1	
2	42008-000070	Air Filter	2	
3	41106-002347	Face Frame	1	
4	41105-000146	Electrical Box Cover	1	
5	31102-000084	Display PCB	1	
6	42003-000001	Display PCB Box	1	
7	92011-002882	Evaporator	1	
8	41108-000066	Screw Cover	2	
9	42004-000040	Cross Fan	1	
10	42007-000001	Bearing Mount	1	
11	22001-000269	Indoor Motor	1	
12	41101-000242	In And Out Pipe Fixer	1	
13	42003-000060	Indoor Motor Cover	1	
14	41105-000104	Electrical Box	1	
15	31101-000542	Main PCB	1	
16	10502-100028	Transformer	1	
17	42001-000103	Cable Clamp	1	
18	22001-000313	Vane Motor 1	1	
19	41199-003279	Base	1	
20	41101-000042	Vertical Vane Assembly	2	
21	41103-000103	Vane	1	
22	41109-000042	Installation Plate	1	
23	10104-100014	Indoor Sensor Assembly	1	Not shown in Explosion view
24	22013-000946	Remote Controller	1	
26	A1101-008360	Indoor Carton	1	
27	A2006-000050	Left Foaming	1	
28	A2006-000030	Right Foaming	1	