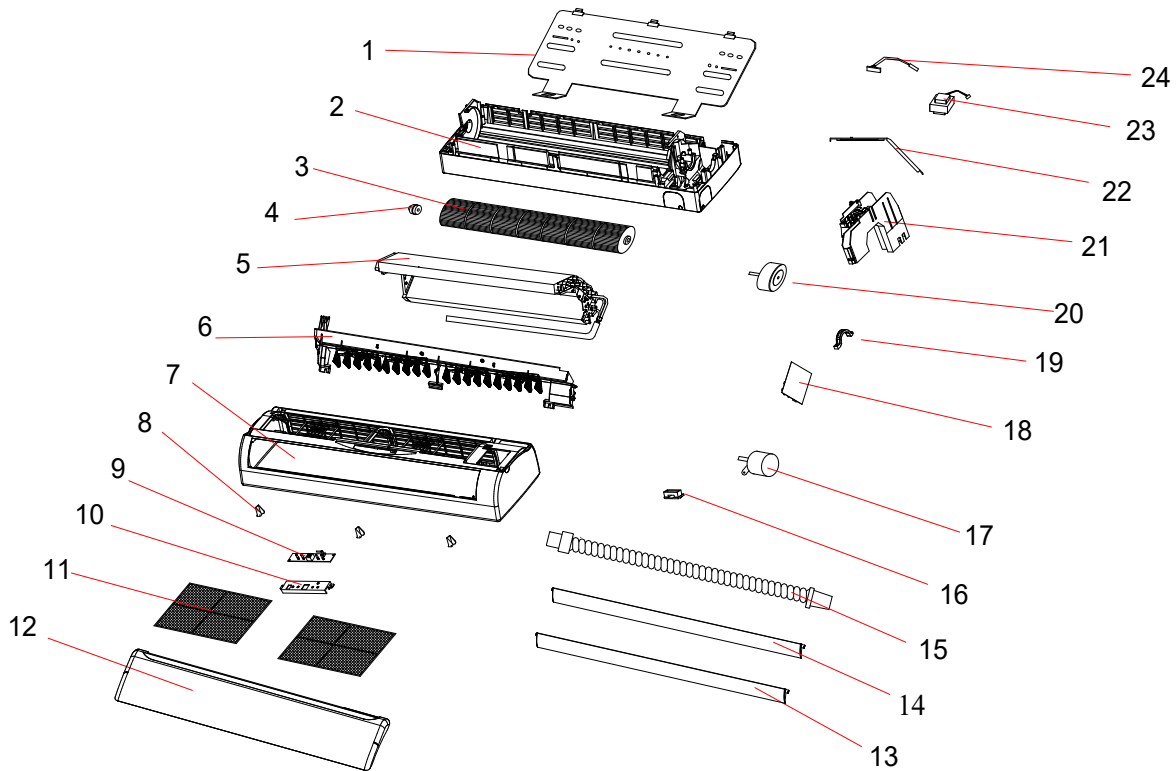


## Exploded View MGTC3623E-17



No.	Part No.	Part Name	Qty	Remark
1	41109-000028	Installation Plate	1	
2	41199-002746	Base	1	
3	42004-000042	Cross Fan	1	
4	42007-000001	Bearing Mount	1	
5	92011-004396	Evaporator	1	
6	41103-000064	Water Drainage Assembly	1	
7	41106-002275	Face Frame	1	
8	41108-000066	Screw Cover	3	
9	31102-000085	Display PCB	1	
10	42003-000001	Display PCB Box	1	
11	42008-000041	Air Filter	2	
12	41106-002203	Front Panel	1	
13	41103-000317	Up Vane	1	
14	41103-000312	Down Vane	1	
15	42009-000004	Drainage Hose	1	
16	42001-000103	Cable Clamp	1	
17	22001-000357	Vane Motor	2	
18	31101-000267	Main PCB	1	
19	41108-000006	Indoor Motor Cover	1	
20	22001-000240	Indoor Motor	1	



## Exploded View MGTC3623E-17

No.	Part No.	Part Name	Qty	Remark
21	41105-000139	Electrical Box	1	
22	41211-000080	Electrical Box Cover	1	
23	NO	Transformer	1	
24	10104-100022	Indoor Sensor Assembly	1	
25	22013-000946	Remote Controller	1	Not shown in Explosion view
26	32001-000057	WIFI	1	
27	A1101-007286	Indoor Carton	1	
28	A2004-000284	Left Foaming	1	
29	A2004-000332	Right Foaming	1	
30	A1103-000012	Middle Foaming Supporter	1	