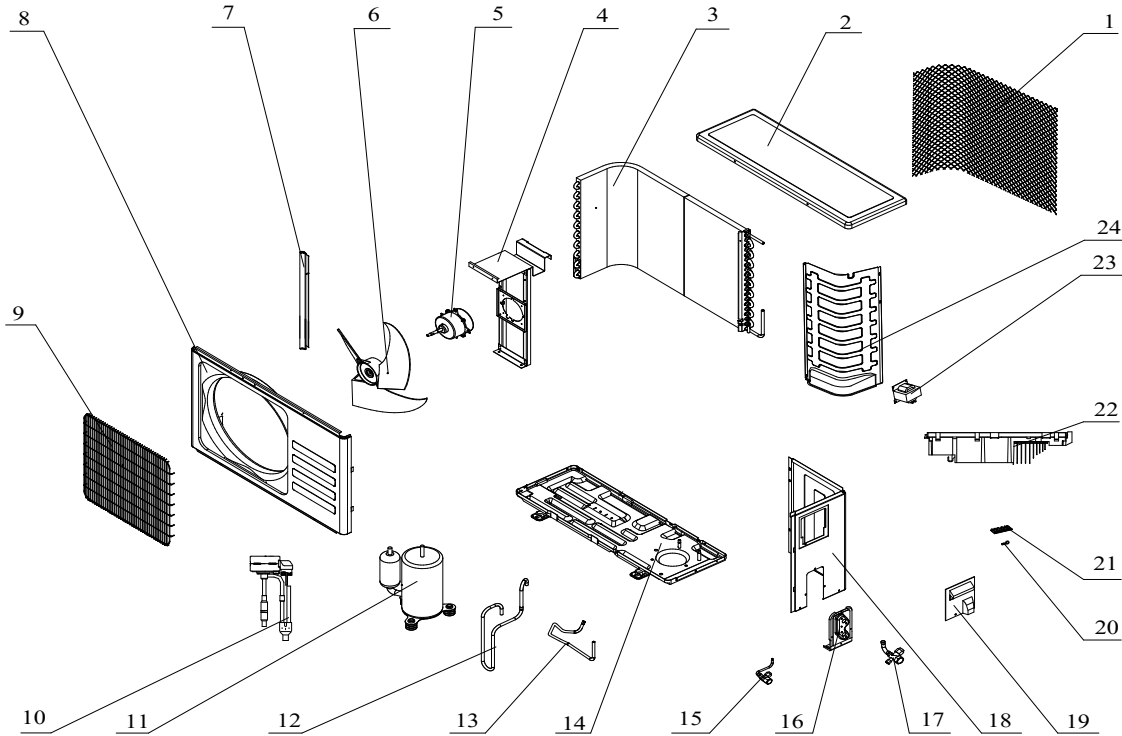


Exploded View MGTC1823C-20



No.	Part No.	Part Name	Qty	Remark
1	42011-000169	Grille	1	
2	41207-000033	Top cover	1	
3	92011-000616	Condenser	1	
4	41203-000052	Outdoor motor supporter	1	
5	22001-000096	Outdoor motor	1	
6	42004-000104	Propeller fan	1	
7	41205-000119	Left grille supporter	1	
8	41206-000057	Front plate	1	
9	42011-000040	Fan guard	1	
10	92007-002228	Capillary assembly	1	
11	92014-000318	Compressor	1	
12	92006-000489	Discharge Pipe	1	
13	92006-001654	Suction Pipe	1	
14	41202-000156	Base	1	
15	92007-001051	Two-way valve	1	
16	41204-000018	Valve supporter	1	
17	92007-001041	Three-way valve	1	
18	41205-000090	Right plate	1	
19	41201-000044	Electrical box cover	1	
20	42001-000036	Cable clamp	1	



Exploded View MGTC1823C-20

No.	Part No.	Part Name	Qty	Remark
21	11304-100045	Terminal	1	
22	31201-001025	Outdoor PCB assembly	1	
23	22011-000014	Inductor	1	
24	41208-000154	Partition plate	1	
25	10104-100038	Pipe Temp. sensor and outdoor Temp. sensor	1	Not shown in explosion view
26	10104-100036	Discharge Temp. sensor	1	
27	A1201-007956	Cabinet Carton	1	
28	A2005-000532	Base carton	1	
29	A1202-000037	Base foaming	1	
30	41213-000031	Cover foaming	1	