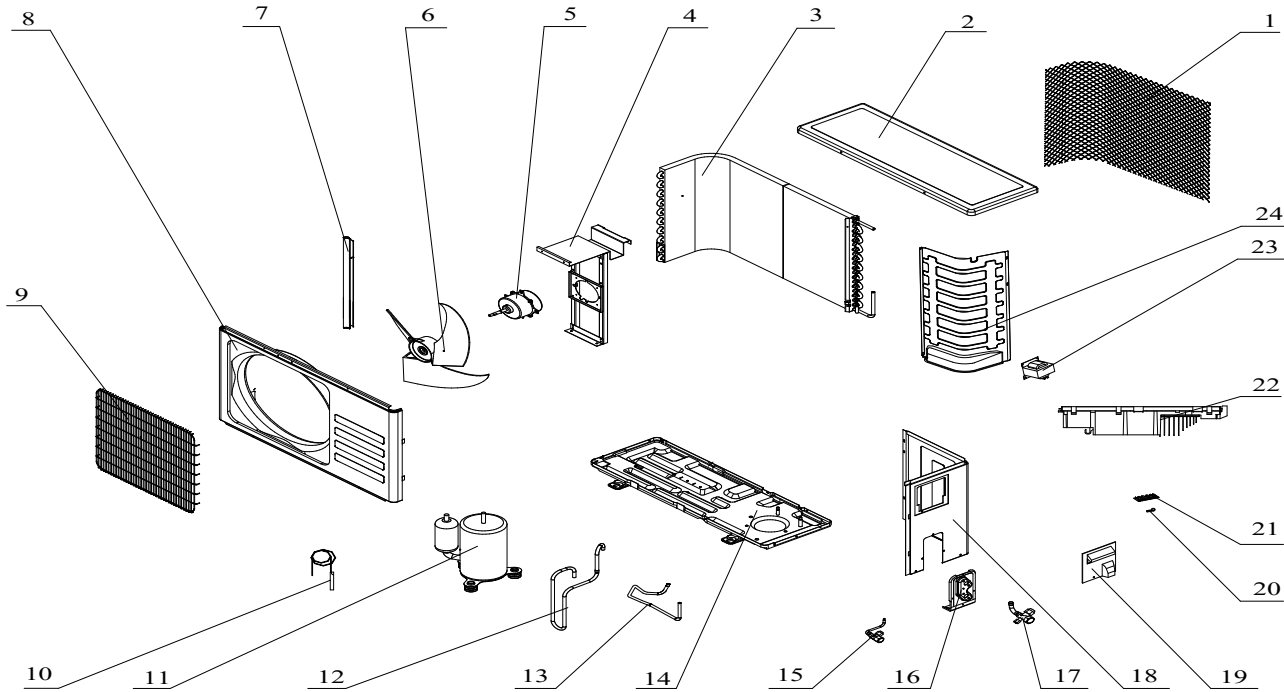


## Exploded View MGTC1223C-20



No.	Part No.	Part Name	Qty	Remark
1	42011-000183	Grille	1	Optional
2	41207-000029	Top Cover	1	
3	92011-004868	Condenser	1	
4	41203-000053	Outdoor Motor Supporter	1	
5	22001-000049	Outdoor Motor	1	
6	42004-000107	Propeller Fan	1	
7	41205-000121	Left Grille Supporter	1	
8	41206-000052	Front Plate	1	
9	42011-000038	Fan Guard	1	
10	92007-002134	Capillary Assembly	1	
11	92014-000142	Compressor	1	
12	92006-000478	Discharge pipe	1	
13	92006-005363	Suction pipe	1	
14	41202-000177	Base	1	
15	92007-001050	Two-way Valve	1	
16	41204-000018	Valve Supporter	1	
17	92007-001041	Three-way Valve	1	
18	41205-000083	Right Plate	1	
19	41201-000044	Electrical Box Cover	1	
20	42001-000036	Cable Clamp	1	
21	11304-100045	terminal	1	
22	31201-001063	Outdoor PCB assembly	1	



## Exploded View MGTC1223C-20

No.	Part No.	Part Name	Qty	Remark
23	22011-000002	Inductor	1	
24	41208-000141	Partition plate	1	
25	10104-100047	Pipe Temp. sensor and outdoor Temp. sensor	1	Not shown in explosion view
26	10104-100036	Discharge Temp. sensor	1	
27	A1201-009174	Cabinet Carton	1	
28	A2005-000530	Base carton	1	
29	A1202-000039	Base foaming	1	
30	41213-000030	Cover foaming	1	