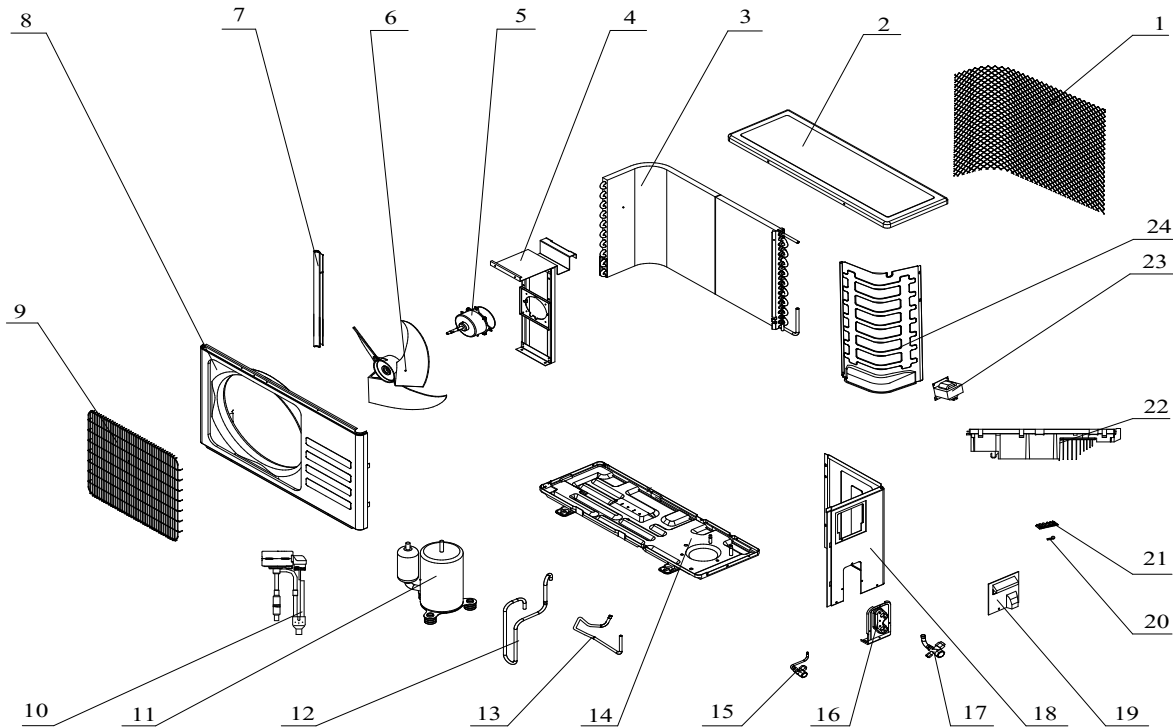


Exploded View MGTC1213C-20



No.	Part No.	Part Name	Qty	Remark
1	42011-000186	Grille	1	
2	41207-000040	Top cover	1	
3	92011-004797	Condenser	1	
4	41203-000051	Outdoor motor supporter	1	
5	22001-000049	Outdoor motor	1	
6	42004-000106	Propeller fan	1	
7	41205-000120	Left grille supporter	1	
8	41206-000059	Front plate	1	
9	42011-000041	Fan guard	1	
10	92007-002134	Capillary assembly	1	
11	92014-000142	Compressor	1	
12	92006-000507	Discharge Pipe	1	
13	92006-001664	Suction Pipe	1	
14	41202-000218	Base	1	
15	92007-001050	Two-way valve	1	
16	41204-000018	Valve supporter	1	
17	92007-001041	Three-way valve	1	
18	41205-000091	Right plate	1	
19	41201-000044	Electrical box cover	1	
20	42001-000036	Cable clamp	1	



Exploded View MGTC1213C-20

No.	Part No.	Part Name	Qty	Remark
21	11304-100046	Terminal	1	
22	31201-001009	Outdoor PCB assembly	1	
23	22011-000011	Inductor	1	
24	41208-000147	Partition plate	1	
25	10104-100033	Pipe Temp. sensor and outdoor Temp. sensor	1	Not shown in explosion view
26	10104-100036	Discharge Temp. sensor	1	
27	42001-000030	Capacitor Strip	1	
28	22003-000045	Compressor Capacitor	1	
29	A1201-007900	Cabinet Carton	1	
30	A2005-000536	Base carton	1	
31	A1202-000041	Base foaming	1	
30	41213-000032	Cover foaming	1	