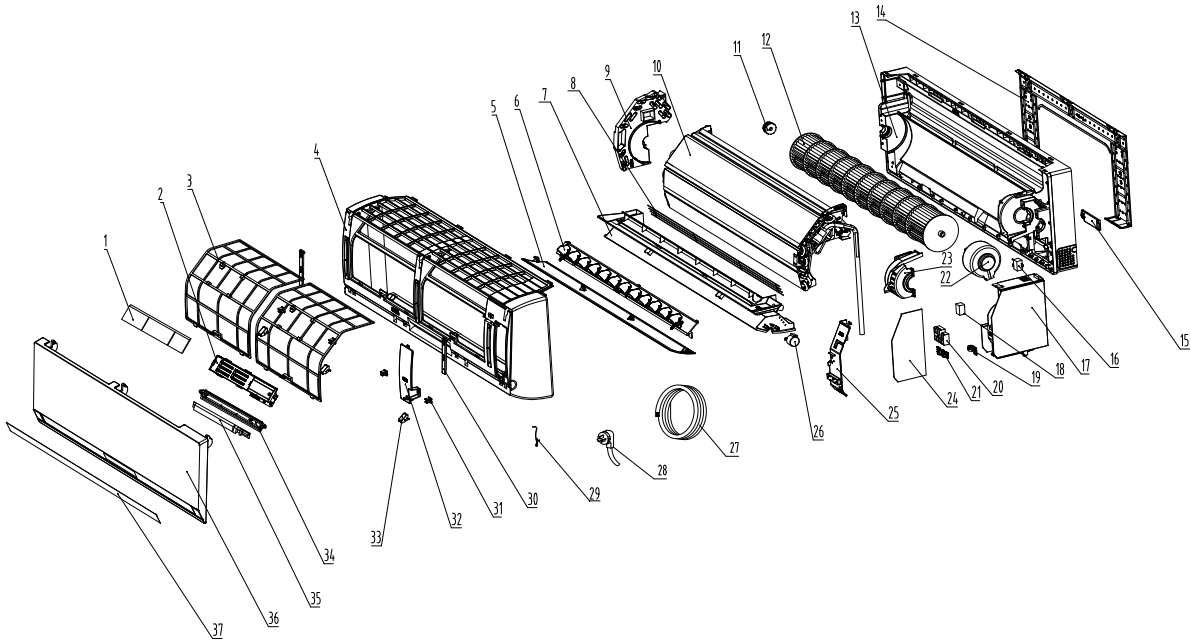


Exploded View - MGC1823E



No.	Part No.	Part Name	Qty	Remark
0	N/A	IDU		
1	N/A	Anti-bacterial filter (optional)		
2	N/A	Plasma dust collector (optional)		
3	N/A	Filter subassembly		
4	N/A	Medium frame		
5	N/A	Air louver (Horizontal)		
6	N/A	Air-vent pallet assembly		
7	N/A	Air-vent holder		
8	N/A	Finger-guard net		
9	N/A	Evaporator left side carriage		
10	N/A	Evaporator assembly		
10.1	N/A	Inlet tube assembly		
10.2	N/A	Outlet tube assembly		
10.3	N/A	Connection board of right-side plate		
10.4	N/A	Thermal insulation pipe		
11	N/A	Cross-flow fan & bearing assembly		
12	N/A	Cross flow fan assembly		
13	N/A	Chassis		
14	N/A	Mounting plate		
15	N/A	Evaporator tubing clamp		
16	N/A	Anion generator		
17	N/A	Control box		
18	N/A	Transformer		
19	N/A	Clamp		
20	N/A	Terminal board (4 blocks)		
21	N/A	Wire clamp		
22	N/A	PCB		



Exploded View - MGC1823E

No.	Part No.	Part Name	Qty	Remark
22.1	N/A	Compressor relay		
22.2	N/A	Capacitor		
22.3	N/A	Fuse		
22.4	N/A	Plug wire of display board		
22.5	N/A	Room temperature sensor (blue)		
22.6	N/A	IDU coil temperature sensor (green)		
23	N/A	IDU fan motor		
24	N/A	Motor cover		
25	N/A	Control box cover		
26	N/A	Step motor		
27	N/A	Power cable		
28	N/A	Power cord		
29	N/A	Sensor circlip		
30	N/A	Support bar		
31	N/A	Clasp		
32	N/A	Medium frame wiring cover		
33	N/A	Screw cover		
34	N/A	Display board seating		
35	N/A	Display board		
36	N/A	Panel		
37	N/A	Decorative panel		